



PRODUCT SPECIFICATION

PROTEC FR



INTRODUCTION

The Protec FR has been developed to offer retailers a high quality LED alternative to the traditional GU10 downlighter. Incorporating the latest chip on board LED technology this gimbal variant is both IP65 and fire rated. Available in a white or brushed chrome finish with a medium or wide beam optic and a choice of two colour temperatures this fantastic luminaire is suitable for a wide variety of retail applications. Infill rings are available on request for retrofit applications to ensure suitability for existing ceiling cut outs.

**UK
CA** CE IP65

APPLICATION

- Corridor
- Display Lighting
- Retail

SPECIFICATION

CONSTRUCTION

- Housing: High pressure die cast aluminium
- Finish: Matt white
- Lens: Injection moulded PMMA lens
- IP65
- 90 minute fire rating.

PERFORMANCE

- Part L2 compliant

ENVIRONMENTAL

- Designed to allow simple replacement of components with commonly available tools in compliance with the Eco Design Directive, please see the installation leaflet for maintenance instructions.
- Every luminaire is labelled with a unique ID number allowing easy identification of spare parts for the lifetime of the product.
- UK based manufacturing providing local support throughout the product lifetime and minimising transportation miles.

EMERGENCY

- Not available with emergency

CONTROL

- Fixed output only.

INSTALLATION

- Suitable for plasterboard installation
- Suitable for mineral fibre ceiling tile installation
- Suitable for metal ceiling tile installation

IMAGES

PRODUCT IMAGES

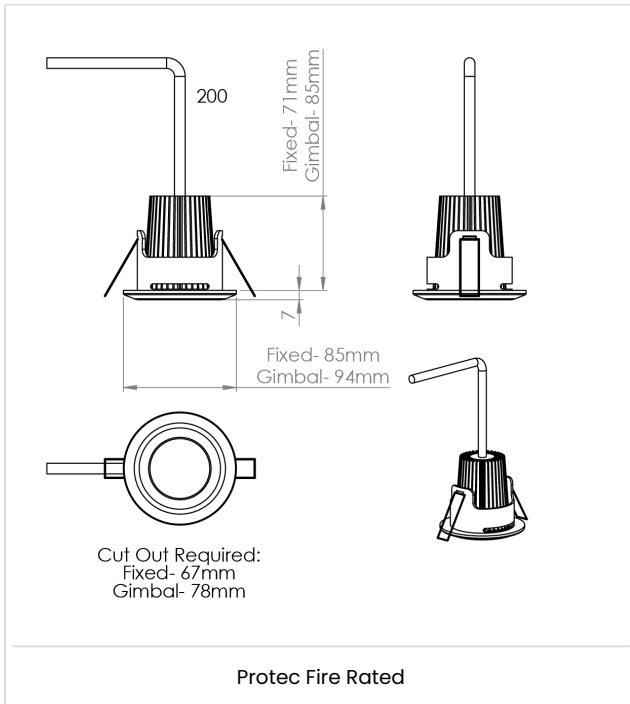


PROJECT IMAGES



IMG_9166(web)

TECHNICAL



WARRANTY

At Dextra our commitment to service has been at the forefront throughout our history spanning more than forty years in the UK lighting market. Our service ethos extends beyond design and delivery, we believe supporting your installation throughout the warranty period is equally crucial, whilst the strength and longevity of Dextra Group provides peace of mind that our warranty will be supported throughout.

The Dextra range is supplied with a five year warranty commencing from the date of delivery. During the first three years defects will be repaired on site and the warranty will include both parts and labour. For the final two years drivers, emergency modules, wireless modules, sensors and LED circuits will be supplied free of charge to replace defective components, labour and other associated costs are not included.

Certain ranges and components are subject to exemptions:

- ▶ Lithium batteries are provided with a five year warranty. During the first three years defects will be repaired on site and the warranty will include both parts and labour. For the final two years replacement batteries will be supplied free of charge to replace defective components. Five year warranty became effective as of 03/02/25, Lithium emergency luminaires supplied prior to this date are supported with a three year on site warranty only. Labour and other associated costs are not included. Nickel Metal Hydride and Nickel Cadmium batteries are provided with a one year warranty for parts and labour.
- ▶ Emergency luminaires including AME2, EXI LED, EXI3, HBE3, HBE4, OAT2 LED and Twinspace are supplied with a one year warranty for parts and labour. Lithium variants suffixed with the 5YR part code, the Autotest emergency with the LA3 part code and wireless variants with LA3RC or LSTR part codes are supplied with a five year warranty. For these extended warranty variants for the first three years defects will be repaired on site and the warranty will include both parts and labour. For the final two years replacement batteries will be supplied free of charge to replace defective components.
- ▶ Protec Micro, PTECF7 Fire Rated Downlights, Serenus and the Opus Sconce are provided with a five year replacement luminaire only warranty. Protec FR Fire Rated Downlights are provided with a 2 year replacement luminaire only warranty.
- ▶ Controls systems such as standalone sensors, switches, marshalling boxes and cabling are provided with a one year warranty for both parts and labour. DALI control systems are provided with a two year warranty for both parts and labour.
- ▶ LEDextra ranges are supplied with a three year parts or replacement luminaire only warranty with the exception of the IMPR RGBW, the Runway RGBW, the MOD RGBW, Tanek RGBW and the DexRing. These five ranges are supplied with our standard five year warranty during which defects within the first three years will be repaired on site and the warranty includes both parts and labour. For the final two years free of charge replacement components only will be supplied to rectify any failures but labour and other associated costs are not included.
- ▶ LEDEX ranges are supplied with a three year replacement luminaire only warranty.
- ▶ The Decorative Pendant ranges, Bebo, Dene, Nova, Fino and Stix are supplied with a 3 year replacement luminaire only warranty.

All warranties are subject to correct use of the product and will be invalidated by misuse, for example incorrect installation, unsuitable environmental conditions or incorrect maintenance. It is the duty of the customer to ensure that all the fault lies with the luminaire prior to requesting replacement parts or site repairs. In the event that no defect is found with the product our costs for attending site will be recharged to the customer and credit

will not be issued against returned products. No consequential losses incurred resulting from any defect with our product will be reimbursed.

Given the nature of LED technology a small percentage of LEDs may fail during the lifetime of a luminaire, this does not cause a reduction in lumen output. As such LED luminaires are only deemed to be faulty for warranty purposes when in excess of ten percent of LEDs have failed in a single luminaire.

On site repair of products under warranty will be undertaken during normal working hours, 9am to 5pm Monday to Friday, and will require unrestricted access to luminaires. Where required Dextra will provide access equipment to carry out repairs at height, should luminaires have been installed in locations where reasonable provision for maintenance access has not been made we reserve the right to supply replacement product only. On site warranty repairs will only be undertaken on the mainland of the UK and Ireland, in all other locations replacement product only will be provided.

If you require any assistance with regards to our products please contact our Customer Services department on 01747 858100.

ORDER CODES

LUMINAIRE

Code	Description	Power	Llm/W
PTECG6 COB 36 FR WH C83	Protec Gimbal, 36°, Fire Rated, IP65, White Bezel, Colour 83	6.7W	
PTECG6 COB 60 FR WH C83	Protec Gimbal, 60°, Fire Rated, IP65, White Bezel, Colour 83	6.7W	
PTECG6 COB 36 FR BC C83	Protec Gimbal, 36°, Fire Rated, IP65, Brushed Chrome Bezel, Colour 83	6.7W	
PTECG6 COB 60 FR BC C83	Protec Gimbal, 60°, Fire Rated, IP65, Brushed Chrome Bezel, Colour 83	6.7W	
PTECG6 COB 36 FR BC C85	Protec Gimbal, 36°, Fire Rated, IP65, Brushed Chrome Bezel, Colour 85	6.7W	
PTECG10 COB 36 FR BC C85	Protec Gimbal, 36°, Fire Rated, IP65, Brushed Chrome Bezel, Colour 85	10.0W	
PTECF10 COB 36 FR BC C85	Protec Fixed, 36°, Fire Rated, IP65, Brushed Chrome Bezel, Colour 85	10.0W	

Installation Sheet

It is recommended that luminaires are installed and fitted by a qualified electrician ensuring the installation complies to the current IEE wiring regulations.

Dimmable Luminaire

This product is dimmable with standard Triac Dimmers. It is recommended that you only use the endorsed dimmer brands - please consult your lighting provider before installation.

Product Information

Electrical Classification: Class II
Voltage: 220 - 240Volt 50Hz
Running Current: 0,05Amps
Ingress Protection: IP65
Rated Wattage: 10W
Beam Angle: 36°/60°
Colour Temp: 3000K/5000K

Fittings should not be installed near to heat sources or in any area's with a ambient temperature normally in excess of 30°C.

Do not carry out high voltage insulation testing with this luminaire connected as it will damage the electronic driver.



Additional Accessory
Insulation Separator Bracket

Suggested method of Installation

Please read this additional information to aid the safe and reliable operation of this luminaire in a cold loft space with insulation material present.

When using this accessory loft insulation may be laid across the back of the luminaire.

Step A Add the "Insulation Separator Bracket" to the recess luminaire ceiling insert.

Step B The bracket simply clips into the center of the ceiling location springs on both sides.

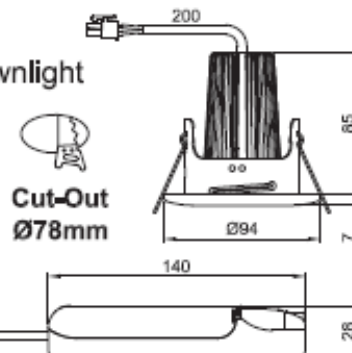
Step C Fit luminaire as per standard instructions.

GUARANTEE

This product is guaranteed for a period of 2 years from the date of purchase. The guarantee is invalid in the case of improper use, improper installations or tampering. Should the product fail during the guarantee period it will be replaced free of charge, subject to correct installation and return of the faulty unit. The provider is not responsible for any costs associated with the replacement of this product.

Model Number: PTECG10 COB
Description: LED Gimbal Fire Rated Downlight
Compliance: BS476 & BSEN60 598
Finish: White/Brushed Chrome

Fire Rated LED IP65 Downlight suitable for 30, 60 and 90 minute plasterboard ceilings.



Cut-Out
Ø78mm



Always ensure there is adequate free air ventilation around the luminaire at all times. Do not install this product into damp or newly plastered ceilings.

Always switch off the mains supply before installation or servicing.

Suggested method of Installation

Read instructions and check you have all the tools and accessories to complete the installation correctly.

Step 1

Cut aperture in the ceiling of Dia Ø78mm. We recommend that a sample hole is cut in some scrap material to familiarise yourself with the installation.

Step 2

With the springs pressed backwards, insert the recessed metal chassis into the aperture and allow the springs to support and centre the ceiling insert.

Step 3

Allow the lighting cable to drop through the aperture. Connect mains cabling to the LED Driver. Ensure all cables are neatly dressed away from any secondary heat sources.

Step 4

Locate LED lighting module into front bezel. Twist to locate as shown.

Step 5

Using the plug and play connection - connect the LED module to the LED Driver. Important! Ensure this connection is made before switching on.

Step 6

Manipulate the tilt mechanism until it's in the desired position.

Step 7

Carefully locate the front bezel into the ceiling housing, twist bezel clockwise until firmly located.

Step 8

Restore electricity and check illumination.

This product may contain substances that can be hazardous to the environment if not disposed of properly. Electrical and electronic equipment should never be disposed of with general household waste but must be separately for its correct treatment and recovery. Where possible recycle your packaging.



Mains Connection of the Driver

Primary 240V 50Hz, Class II

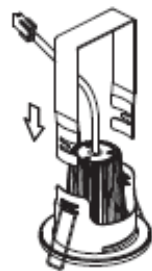
Wire - Brown cable to connection marked "L"

Wire - Blue cable to connection marked "N"

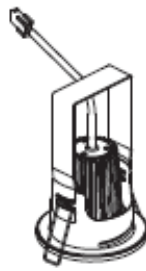
This is a double insulated driver, however earth provision has been provided for terminating only.



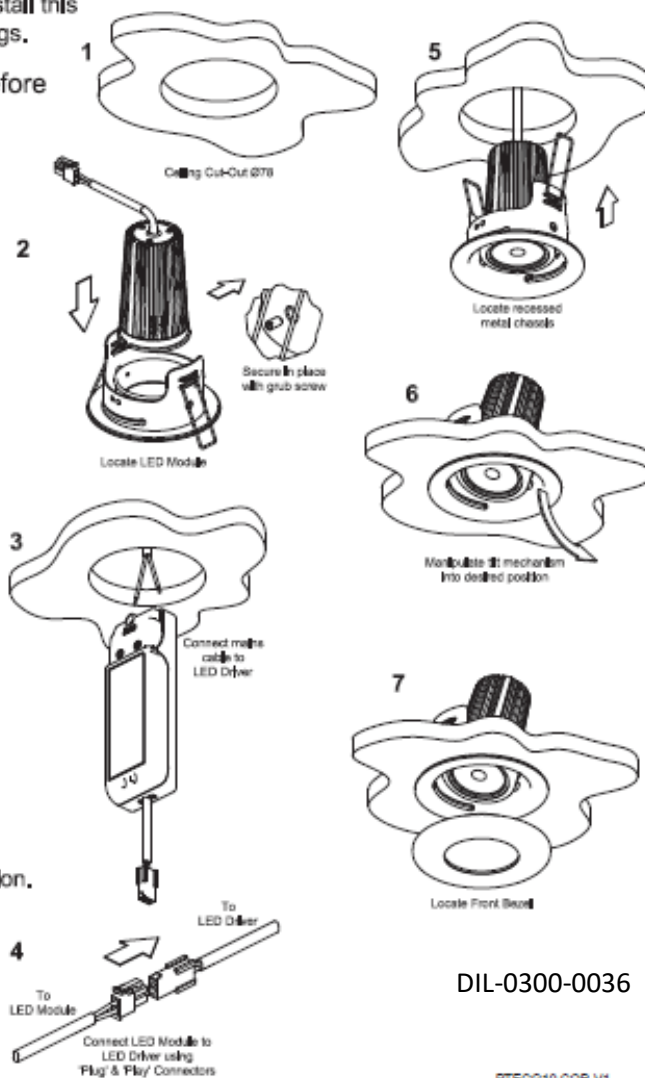
Step A



Step B



Step C



DIL-0300-0036