



PRODUCT SPECIFICATION

INDECO



INTRODUCTION

The Indeco is designed to provide the quickest and simplest installation of any product in the Dextra range by combining the trunking, electrical system and quick release luminaires in a single range.

The Indeco trunking is available in 4.5M, 3M and 1.5M lengths with either 6 pole or 4 pole through wire looms, each loom has a socket connector at 1.5M intervals with a corresponding connector on the rear of the luminaire housing. Each trunking length connects to the next with a simple splice plate and plug and socket connector allowing installation of the trunking with no need to wire electrical connections, the luminaires can then be installed in the required positions with twist lock mounting clips and plug and socket electrical connections. The trunking itself is mounted with snap on sprung steel clips ensuring that the entire system can be installed without tools or wiring of electrical connections except for a single connection at the beginning of each trunking run.

The luminaires can be continuously run or spaced as required with snap in infill covers between, this combines with a wide range of lumen outputs and lensed or opal diffusers ensuring installations can be configured precisely to ensure effective lighting with a minimum of energy consumption. Lithium emergency, dimming and wireless variants are also available ensuring that the Indeco system can fulfil all requirements for safety, energy efficiency and reporting.

We offer a range of wireless control systems providing localised grouping and control as well as comprehensive wireless solutions allowing both standard and emergency luminaires to be centrally monitored.

**UK
CA** CE IP20 TM21: L90>60K HOURS / L80>100K HOURS 3 STEP MACADAM ELLIPSE

APPLICATION

- Retail
- Transport
- Warehousing

SPECIFICATION

CONSTRUCTION

- Housing: Extruded aluminium
- Finish: Polyester powder painted RAL 9016 textura matt white
- Finish: Polyester powder painted RAL 9006 textura matt grey
- Finish: Polyester powder painted RAL 9005 textura matt black
- Endcaps: Injection moulded polycarbonate
- Diffuser: 2mm extruded high transmission opal polycarbonate
- Lens: Injection moulded PMMA lens
- IP20

PERFORMANCE

- Part L2 compliant
- 3SDCM Three step Macadams ellipse
- TM21: L90>60K Hours / L80>100K Hours
- Up to 174 luminaire lumens per circuit Watt.

ENVIRONMENTAL

- Designed to allow simple replacement of components with commonly available tools in compliance with the Eco Design Directive, please see the installation leaflet for maintenance instructions.
- All critical components are mounted on a single tray for simple end of life repair or upgrade.
- Powered by European branded drivers and emergency modules ensuring replacement parts are easily sourced.
- Every luminaire is labelled with a unique ID number allowing easy identification of spare parts for the lifetime of the product.
- Contains no single use plastics or polystyrene packaging.
- Supplied in plain card boxes with paper tape ensuring packaging is easily recycled.
- Designed to allow simple disassembly for end of life recycling.
- UK based manufacturing providing local support throughout the product lifetime and minimising transportation miles.

EMERGENCY

- Available with optional standard, self test and autotest integral emergency with lithium batteries for extended

warranty and lifetime.

- Optional Reacta-Link wireless emergency for automated centralised reporting.
- Optional Reacta-Control wireless emergency for automated centralised reporting.
- Optional central battery changeover relay

CONTROL

- Optional compatibility with a range of dimming systems including DALI, DSI and Switch Dimming
- Optional Integral R44 presence and daylight sensor
- Optional Integral Reacta-Air wireless presence and daylight regulations sensor
- Optional integral Reacta-Link for integration with Reacta-Link wireless installations
- Optional integral Reacta-Control for integration with Reacta-Control wireless installations

INSTALLATION

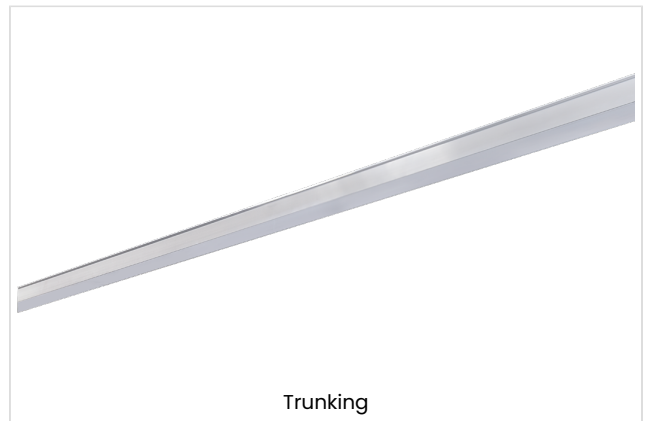
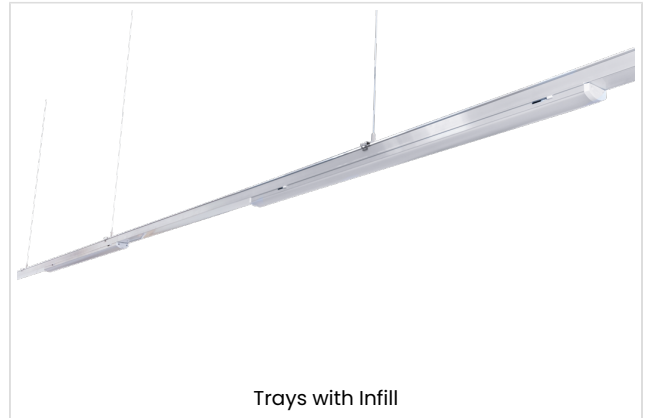
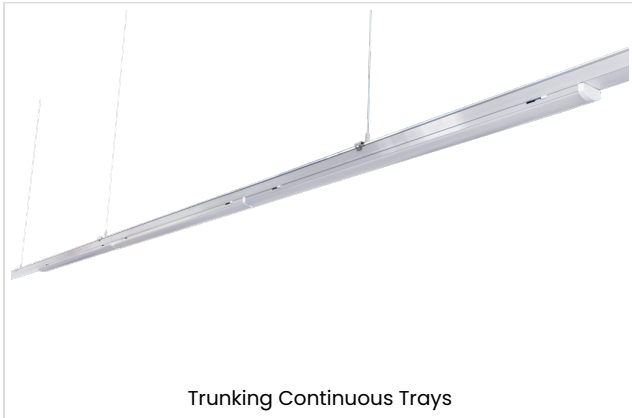
- Suitable for suspended installation
- Trunking pre-wired with 4 or 6 pole 2.5mm loom with socket connectors allowing installation of luminaires at 1500mm intervals.
- Tool-less assembly for both electrical and mechanical installation.
- Trunking pre-assembled with splice plates and up to 4500mm lengths providing rapid installation.
- Snap on suspension brackets for quick mounting.

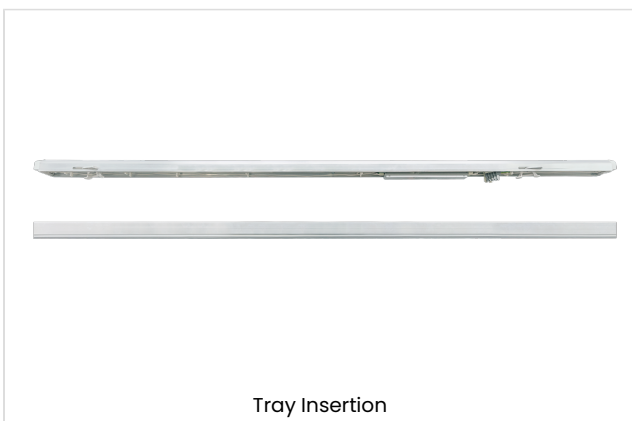
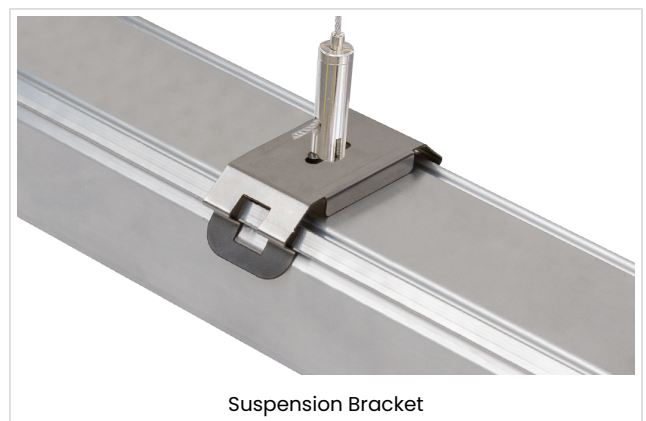
VARIATIONS

- Available with a wide range of colour temperatures and renderings
- Available in a range of lumen outputs
- Available in white, black or grey finishes

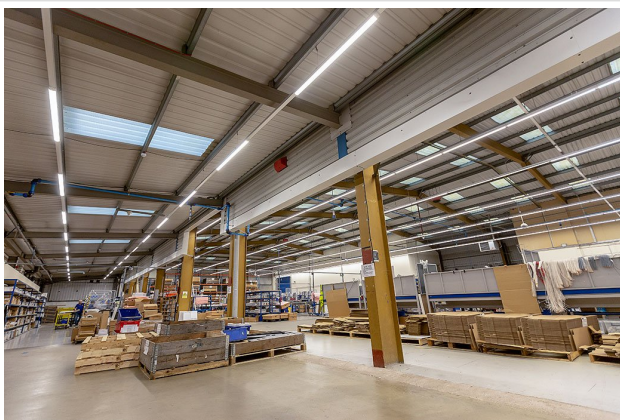
IMAGES

PRODUCT IMAGES





PROJECT IMAGES



The Indeco in use in a manufacturing setting

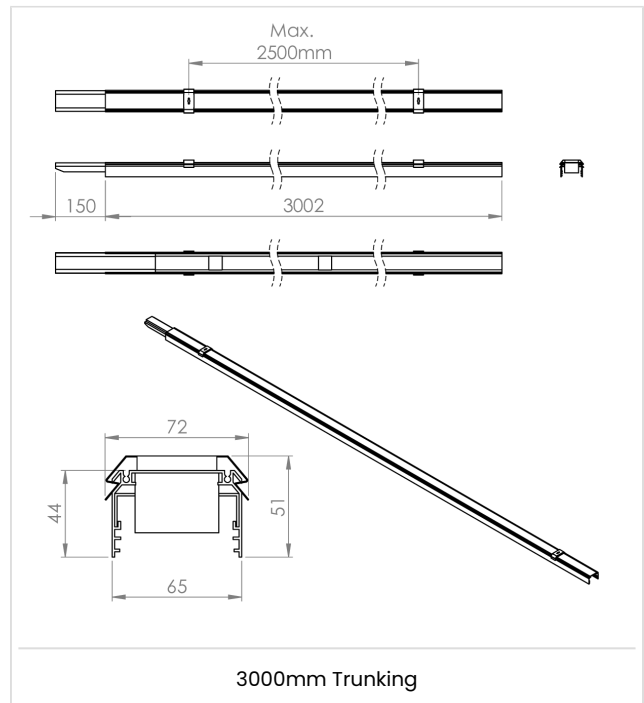
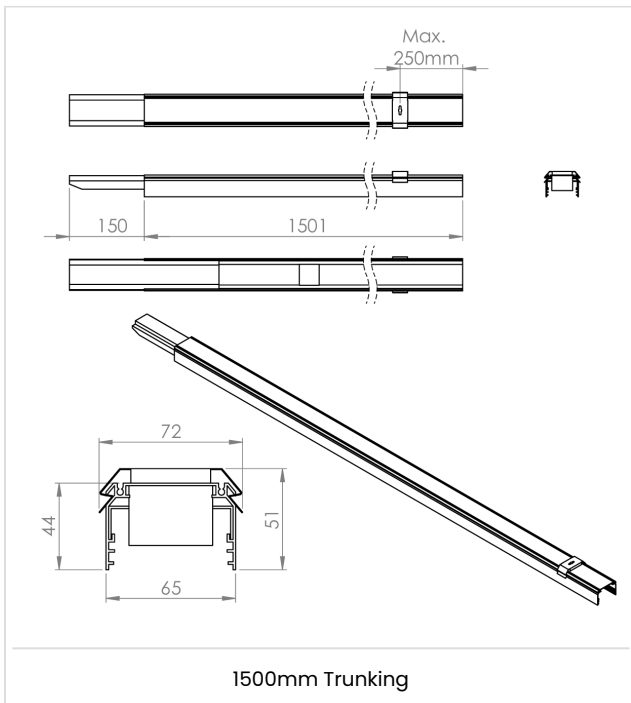
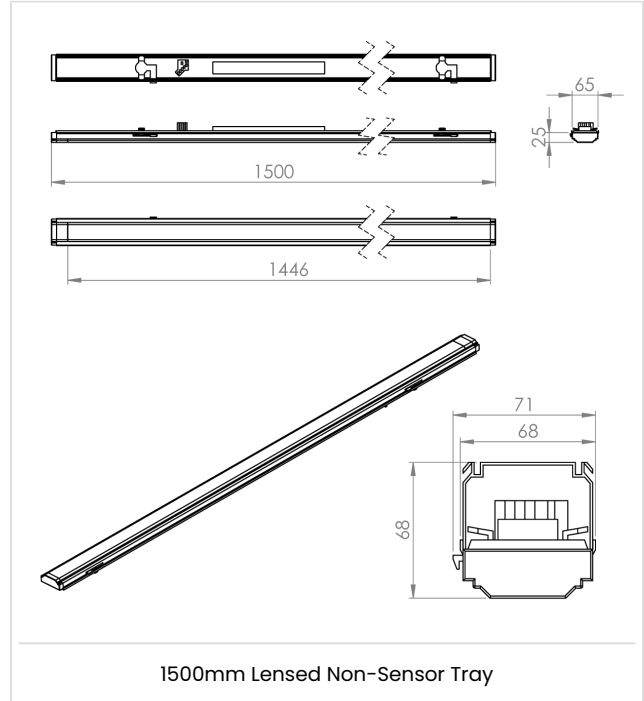
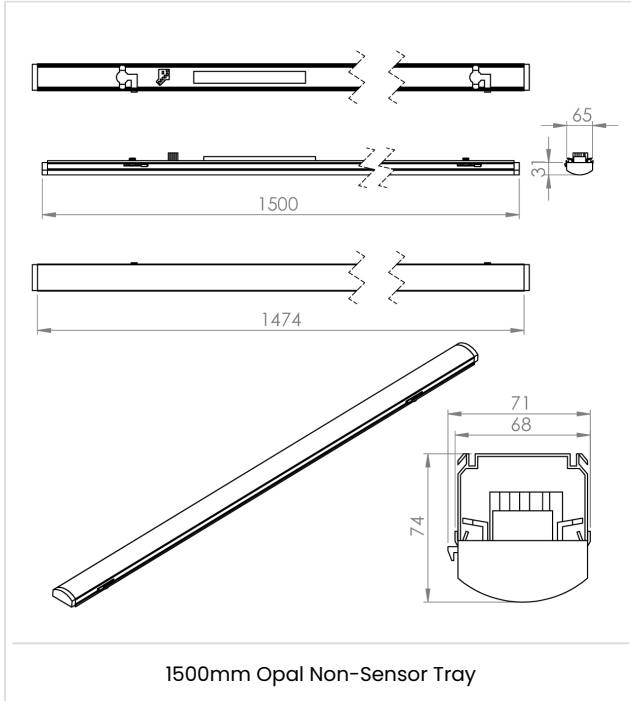


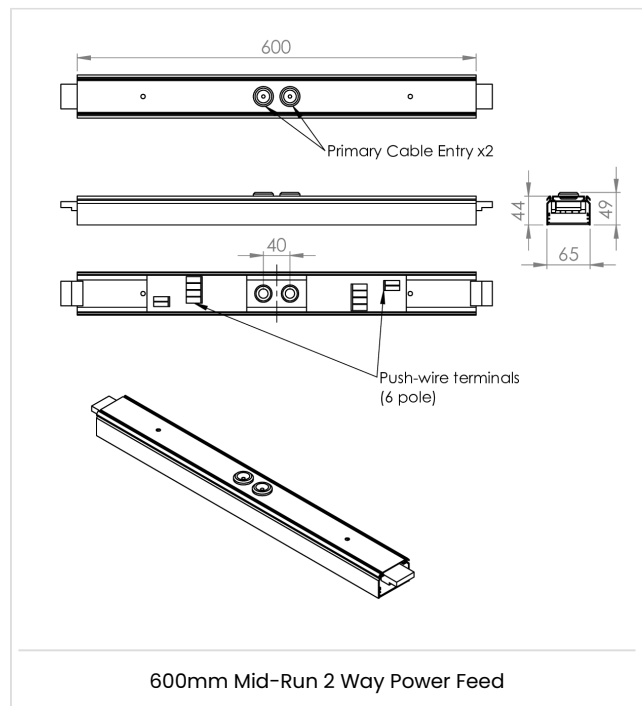
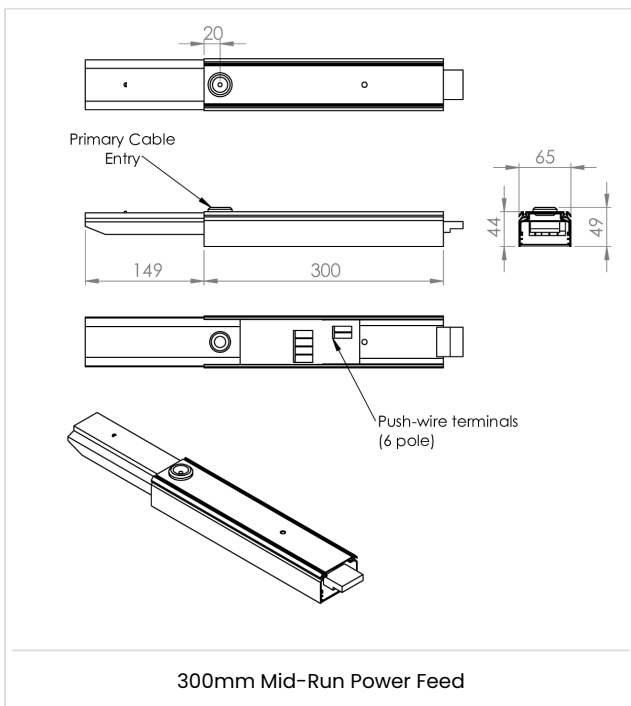
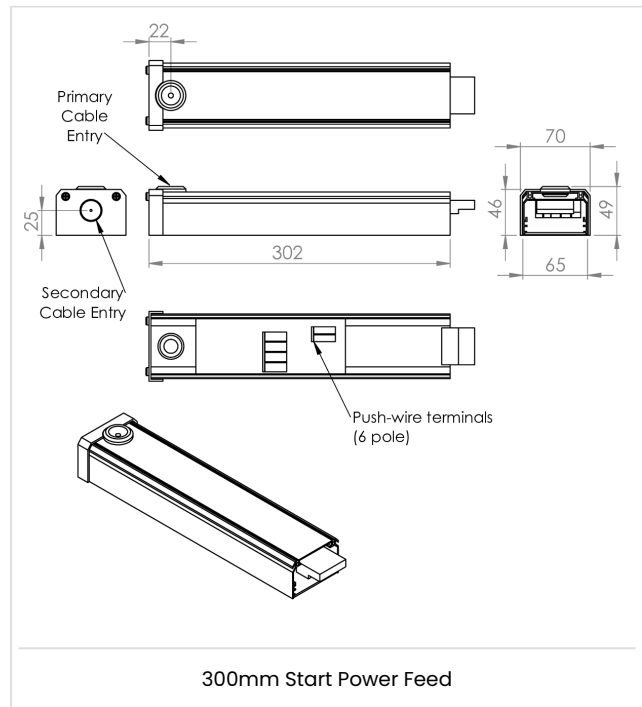
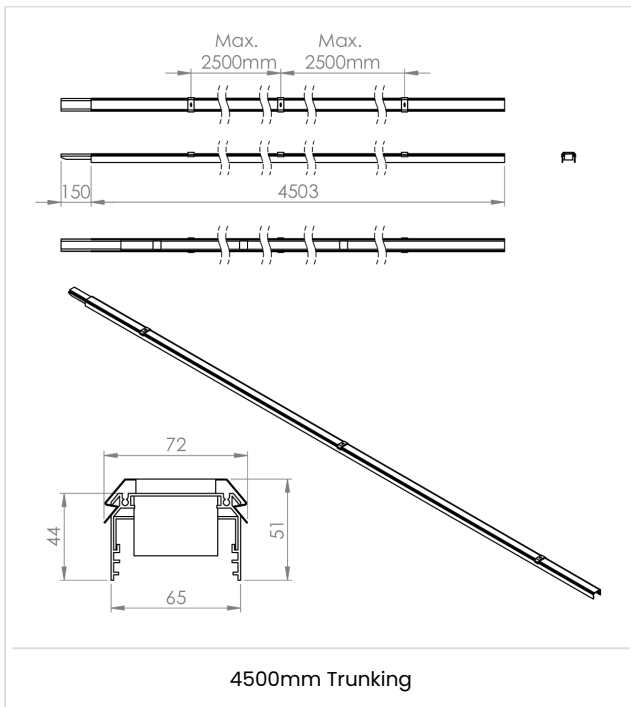
The Indeco in use in a manufacturing setting



The Indeco Sensor in use in a manufacturing setting

TECHNICAL





WARRANTY

At Dextra our commitment to service has been at the forefront throughout our history spanning more than forty years in the UK lighting market. Our service ethos extends beyond design and delivery, we believe supporting your installation throughout the warranty period is equally crucial, whilst the strength and longevity of Dextra Group provides peace of mind that our warranty will be supported throughout.

The Dextra range is supplied with a five year warranty commencing from the date of delivery. During the first three years defects will be repaired on site and the warranty will include both parts and labour. For the final two years drivers, emergency modules, wireless modules, sensors and LED circuits will be supplied free of charge to replace defective components, labour and other associated costs are not included.

Certain ranges and components are subject to exemptions:

- ▶ Lithium batteries are provided with a five year warranty. During the first three years defects will be repaired on site and the warranty will include both parts and labour. For the final two years replacement batteries will be supplied free of charge to replace defective components. Five year warranty became effective as of 03/02/25, Lithium emergency luminaires supplied prior to this date are supported with a three year on site warranty only. Labour and other associated costs are not included. Nickel Metal Hydride and Nickel Cadmium batteries are provided with a one year warranty for parts and labour.
- ▶ Emergency luminaires including AME2, EXI LED, EXI3, HBE3, HBE4, OAT2 LED and Twinspace are supplied with a one year warranty for parts and labour. Lithium variants suffixed with the 5YR part code, the Autotest emergency with the LA3 part code and wireless variants with LA3RC or LSTR part codes are supplied with a five year warranty. For these extended warranty variants for the first three years defects will be repaired on site and the warranty will include both parts and labour. For the final two years replacement batteries will be supplied free of charge to replace defective components.
- ▶ Protec Micro, PTECF7 Fire Rated Downlights, Serenus and the Opus Sconce are provided with a five year replacement luminaire only warranty. Protec FR Fire Rated Downlights are provided with a 2 year replacement luminaire only warranty.
- ▶ Controls systems such as standalone sensors, switches, marshalling boxes and cabling are provided with a one year warranty for both parts and labour. DALI control systems are provided with a two year warranty for both parts and labour.
- ▶ LEDextra ranges are supplied with a three year parts or replacement luminaire only warranty with the exception of the IMPR RGBW, the Runway RGBW, the MOD RGBW, Tanek RGBW and the DexRing. These five ranges are supplied with our standard five year warranty during which defects within the first three years will be repaired on site and the warranty includes both parts and labour. For the final two years free of charge replacement components only will be supplied to rectify any failures but labour and other associated costs are not included.
- ▶ LEDEX ranges are supplied with a three year replacement luminaire only warranty.
- ▶ The Decorative Pendant ranges, Bebo, Dene, Nova, Fino and Stix are supplied with a 3 year replacement luminaire only warranty.

All warranties are subject to correct use of the product and will be invalidated by misuse, for example incorrect installation, unsuitable environmental conditions or incorrect maintenance. It is the duty of the customer to ensure that all the fault lies with the luminaire prior to requesting replacement parts or site repairs. In the event that no defect is found with the product our costs for attending site will be recharged to the customer and credit

will not be issued against returned products. No consequential losses incurred resulting from any defect with our product will be reimbursed.

Given the nature of LED technology a small percentage of LEDs may fail during the lifetime of a luminaire, this does not cause a reduction in lumen output. As such LED luminaires are only deemed to be faulty for warranty purposes when in excess of ten percent of LEDs have failed in a single luminaire.

On site repair of products under warranty will be undertaken during normal working hours, 9am to 5pm Monday to Friday, and will require unrestricted access to luminaires. Where required Dextra will provide access equipment to carry out repairs at height, should luminaires have been installed in locations where reasonable provision for maintenance access has not been made we reserve the right to supply replacement product only. On site warranty repairs will only be undertaken on the mainland of the UK and Ireland, in all other locations replacement product only will be provided.

If you require any assistance with regards to our products please contact our Customer Services department on 01747 858100.

ORDER CODES

LUMINAIRE

Code	Description	Power	Llm/W
IND L35 OP	Indeco 1500mm, 3,010lm, Opal.	18.2W	165
IND L45 OP	Indeco 1500mm, 3,870lm, Opal.	22.7W	170
IND L54 OP	Indeco 1500mm, 4,644lm, Opal.	27.8W	167
IND L63 OP	Indeco 1500mm, 5,418lm, Opal.	31.9W	170
IND L80 OP	Indeco 1500mm, 6,880lm, Opal.	41.4W	166
IND L96 OP	Indeco 1500mm, 8,256lm, Opal.	47.5W	174
IND L35 OA	Indeco 1500mm, 3,245lm, Open Area	22.2W	146
IND L45 OA	Indeco 1500mm, 4,172lm, Open Area	26.2W	159
IND L54 OA	Indeco 1500mm, 5,006lm, Open Area	31.8W	157
IND L63 OA	Indeco 1500mm, 5,840lm, Open Area	37.1W	157
IND L80 OA	Indeco 1500mm, 7,415lm, Open Area	44.9W	165
IND L96 OA	Indeco 1500mm, 8,899lm, Open Area	55.5W	160
IND L120 OA	Indeco 1500mm, 11,124lm, Open Area	71.1W	156
IND L150 OA	Indeco 1500mm, 14,580lm, Open Area	93.6W	155
IND L35 HR	Indeco 1500mm, 3,308lm, High Rack	22.2W	149
IND L45 HR	Indeco 1500mm, 4,253lm, High Rack	26.2W	162
IND L54 HR	Indeco 1500mm, 5,103lm, High Rack	31.8W	160
IND L63 HR	Indeco 1500mm, 5,954lm, High Rack	37.1W	160
IND L80 HR	Indeco 1500mm, 7,560lm, High Rack	44.9W	168
IND L96 HR	Indeco 1500mm, 9,072lm, High Rack	55.4W	163
IND L120 HR	Indeco 1500mm, 11,340lm, High Rack	71.1W	159
IND L150 HR	Indeco 1500mm, 14,175lm, High Rack	93.6W	151
IND 1500 4P	Indeco Trunking, 1500mm, 4 Pole		
IND 3000 4P	Indeco Trunking, 3000mm, 4 Pole		
IND 4500 4P	Indeco Trunking, 4500mm, 4 Pole		
IND 1500 6P	Indeco Trunking, 1500mm, 6 Pole		
IND 3000 6P	Indeco Trunking, 3000mm, 6 Pole		
IND 4500 6P	Indeco Trunking, 4500mm, 6 Pole		
IND START	Indeco Trunking Start Power Feed		
IND MID	Indeco Trunking Mid Run Power Feed		
IND 2 WAY	Indeco Trunking Mid Run Two Way Power Feed		
IND 1500 INFILL	1500mm Trunking Cover		
SUSP IND 3M LO X1	3M Suspension Kit Loop Over for Purlins		
SUSP IND 3M BF X1	3M Suspension Kit Barrel Fix		
IND EC	Trunking End Cap		
WH	White (please add to both tray and trunking if white is required)		

DIMMING

Code	Description
A	DALI Digital Addressable Lighting Interface
D	DSI Digital Dimming
H	HFR Analogue 1-10v

EMERGENCY

Code	Description
LE3	Lithium Standard Emergency 3 Hour
LS3	Lithium Selftest Emergency 3 Hour
LA3	Lithium Autotest Emergency 3 Hour
LA3D	Lithium DexNET Emergency 3 Hour
LSTR	Lithium Reacta-Link Emergency 3 Hour
LA3RC	Lithium Reacta-Control Emergency 3 Hour
Emergency not available with LI50 variants	

MISCELLANEOUS

Code	Description
C**	Select Colour Temperature and Rendering; C827, C83, C85, C865, C93, C94
LSF	Low Smoke Zero Halogen

220-240V / 50-60Hz
IP20



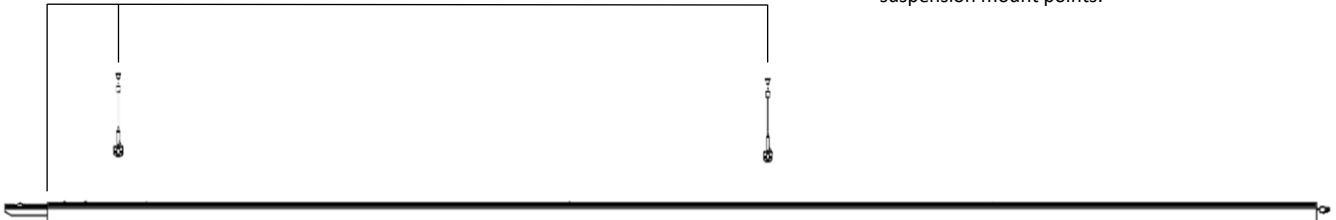
WARNING: Luminaire must be earthed. Risk of electric shock from LED boards if operated with cover removed. Installation / operation outside of luminaires intended scope invalidates warranty. Suitable only for domestic / light industrial / industrial applications within the scope of EN55015. Tested to compliance with BSEN 60598: specification for general requirements and tests. Must be installed by a suitably qualified person in accordance with all relevant legislation. Ambient operating temperature of 0°C to 25°C. If maximum operating temperature is exceeded luminaire will automatically dim / switch off. Terminal blocks are rated to 16A unless stated otherwise. The light source contained in this luminaire shall only be replaced by the manufacturer or his service agent or a similar qualified person. **LUMINAIRES WITH EMERGENCY PACK:** When supply is isolated battery output terminals may be live if battery is connected. Isolate mains and battery before servicing. Emergency luminaires require unswitched live connection taken from same phase as switched supply. When unswitched supply is connected status indicator illuminates green, when unswitched supply is disconnected indicator extinguishes and luminaire operates in emergency mode. 24 hour charge period required before undertaking full discharge test. Emergency test sheets provided should be used to record all emergency tests. Batteries should be replaced when 3 hour duration is not met. Excessive switching of permanent live may result in premature battery failure. Battery electrolyte can be harmful to eyes / open wounds, do not puncture, if electrolyte touches skin / eyes flush with water. Do not incinerate batteries.

Terminal Labelling:	
Power	
L / 1	Switched Live
E / 1	Earth
N	Neutral
Emergency	
L2 / 2	Unswitched Live
DA/AT3	DALI Autotest
DA/AT3	DALI Autotest
Dimming	
-/D1/DA	Analogue/DSI/DALI
+/D2/DA	Analogue/DSI/DALI
SD	Switch Dim / Corridor Function

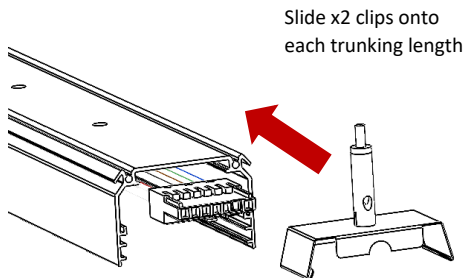
1. Ensure a minimum of 350mm is left at the start of run for the power feed unit shown in step 3.

Suspend mount the first section of 4500mm trunking as shown. The first drop should be ~250mm from the start of the trunking. Ensure a maximum spacing of 2500mm is maintained between suspension mount points.

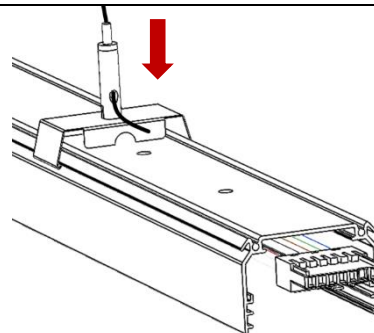
250mm Max. 2500mm



2. **Suspension install**



- 3.



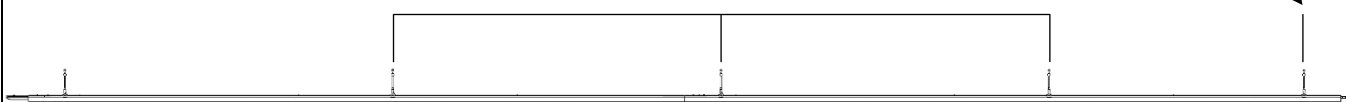
Feed the suspension wires through the barrel clutch in order to suspend the trunking. Use clutch to adjust height and to ensure trunking is level.

- 4.

Suspend mount subsequent sections of 4500mm, 3000mm or 1500mm trunking as shown. Ensure a maximum spacing of 2500mm is maintained between suspension mount points.

The last section will require a final suspension mount point positioned 250mm from the end of the trunking.

Max. 2500mm Max. 2500mm



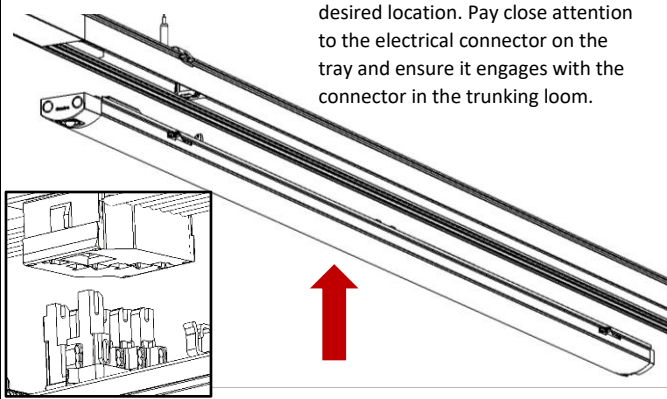
Indeco Installation

<p>5.</p> <p>300mm</p> <p>Slide the Start Power Feed section onto the end of the first section of trunking.</p> <p>Ensure the spring latch engages in the hole shown.</p>	<p>6.</p> <p>Where a power drop is required mid-run, please use the IND MID trunking section. This slides into the previous trunking section as normal and allows a power drop to be brought in through the grommet in the rear and wired to a new set of terminal blocks. Continue installation as required.</p>
<p>7.</p> <p>At the end of run, fold the loose female connector back inside the trunking and attach the end cap using the screws provided.</p>	<p>8.</p> <p>Connect male and female connectors along the entire run.</p>
<p>9.</p> <p>Feed mains cable into power feed section. Rear cable grommet provided as primary cable entry for suspended versions but end cap can be drilled and spare grommet fitted for surface mount or secondary cable entry option.</p>	<p>10.</p> <p>Ensure the cable clamp is used with both rear entry or end entry options. Connect cable to appropriate terminals.</p> <p>1 (switched live) E (earth) N (neutral) L2 (unswitched live) DA / DA (Dali control)</p>
<p>11</p> <p>Fit short infill section over the start power feed.</p>	<p>12.</p> <p>Before installing gear trays, open both quarter-turn handles by lifting and pushing to the left.</p>

Indeco Installation

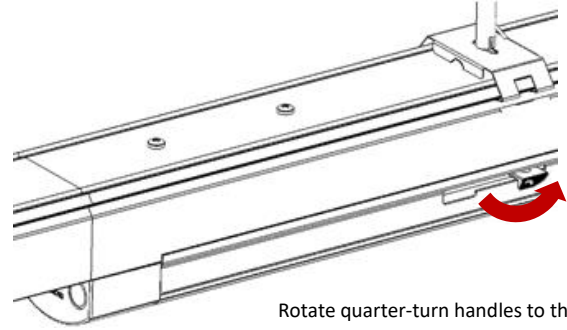
13.

Offer gear tray up to the trunking in desired location. Pay close attention to the electrical connector on the tray and ensure it engages with the connector in the trunking loom.



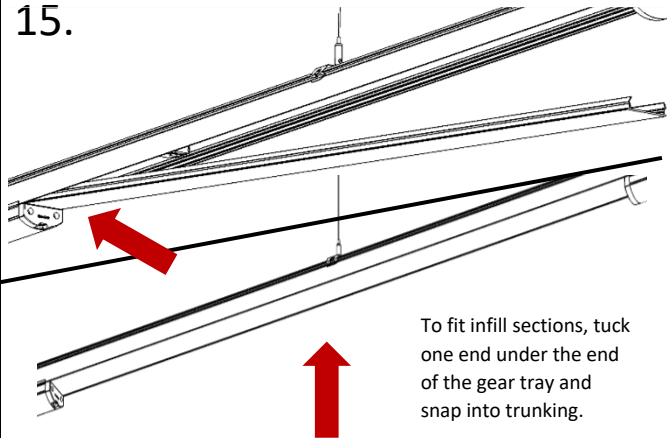
14.

Rotate quarter-turn handles to the right until the handle engages into the tray with a click.



15.

To fit infill sections, tuck one end under the end of the gear tray and snap into trunking.

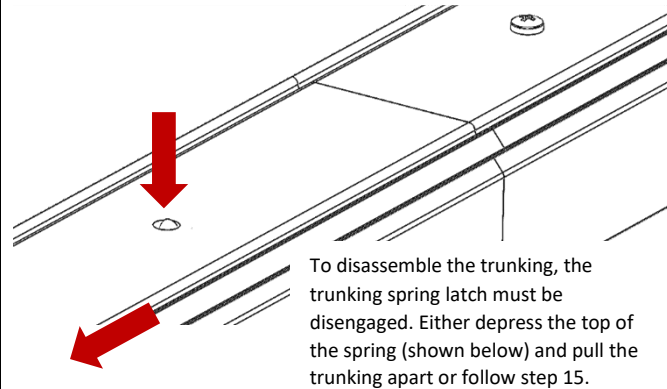


16.

Commission as required.

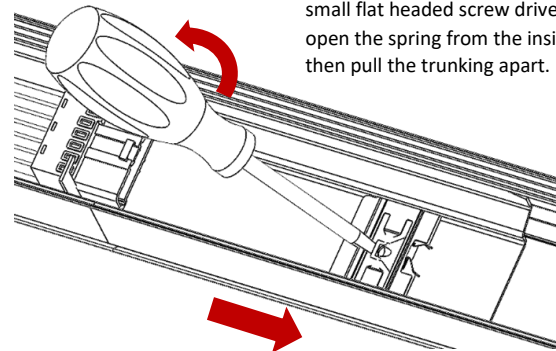
17.

To disassemble the trunking, the trunking spring latch must be disengaged. Either depress the top of the spring (shown below) and pull the trunking apart or follow step 15.



18.

The second way of releasing the trunking spring latch is to use a small flat headed screw driver and open the spring from the inside then pull the trunking apart.



Maintenance

- 1 Disconnect luminaire before undertaking any maintenance or cleaning.
- 2 Cleaning should be undertaken on external parts of the luminaire only using a slightly damp lint free cloth.
- 3 To access LED circuit use a pan pozi screwdriver to remove screws from endcap. Diffuser and LED circuit can then slide out from tray.
- 4 Use a pan pozi screwdriver to remove components.
- 5 Please contact Dextra for assistance with spare component supply.

