



PRODUCT SPECIFICATION

HBE3



INTRODUCTION

This highly versatile exit sign is designed to suit nearly all emergency exit applications. The standard product is suitable for both suspension and surface mounting, whilst the blade angle can be pivoted through a range of angles when mounting onto sloped ceilings. In addition to this, recessing kits and wall mounting kits are available as optional extras. The HBE3 is supplied with a Lithium battery as standard for extended battery life.

Operating at just 2.7W, the HBE3 offers excellent energy efficiency and is also available with both standard and self test options. Legends are supplied complete with the luminaire in all four directions in ISO 7010 formats with sufficient legends for double sided left and right applications. For Autotest versions please refer to the HBE, for Reacta-Link enabled wireless versions please refer to the HBE Wireless.

**UK
CA** CE IP20

APPLICATION

- Canteen
- Commercial / Offices
- Corridor
- Education
- Food Production
- Healthcare / Social Housing
- Hotel / Leisure
- Industrial / Manufacturing
- Kitchen
- Office
- Retail
- Stairwell
- Store Room
- Toilet
- Transport
- Warehousing

SPECIFICATION

CONSTRUCTION

- Housing: Injection moulded polycarbonate
- Finish: Matt white
- ISO 7010 with all directional arrow options.
- IP20

ENVIRONMENTAL

- Every luminaire is labelled with a unique ID number allowing easy identification of spare parts for the lifetime of the product.
- UK based manufacturing providing local support throughout the product lifetime and minimising transportation miles.

EMERGENCY

- Available with standard or self test emergency with lithium batteries for extended lifetime.

INSTALLATION

- Suitable for suspended installation
- Suitable for surface installation

IMAGES

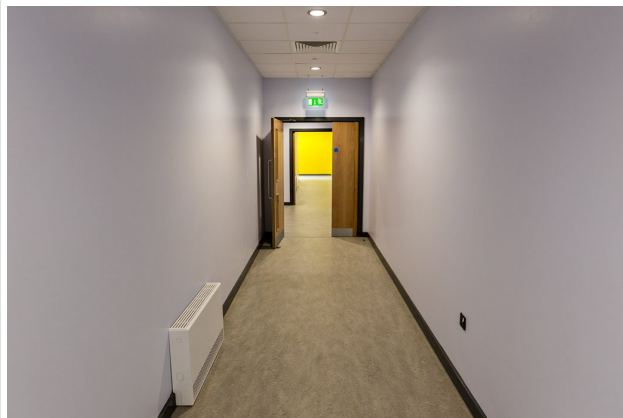
PRODUCT IMAGES



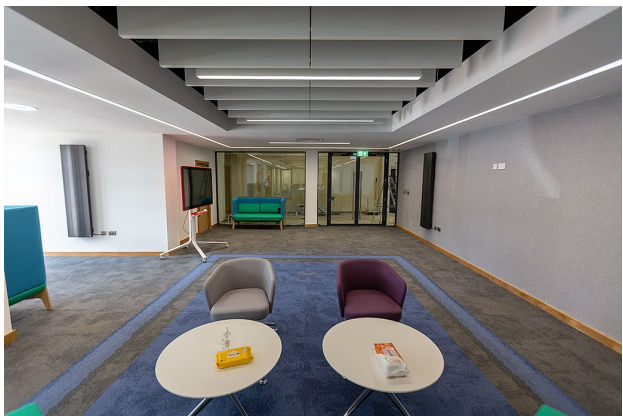
PROJECT IMAGES



St Modwen Cofton Centre using the Protec Fire Rated Downlight & HBE3



Ysgol Gllancein using the HBE2 LED

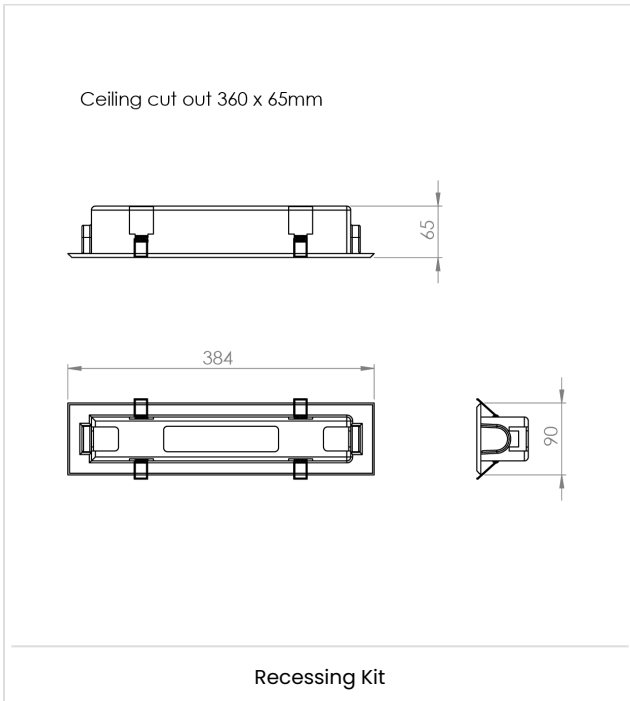
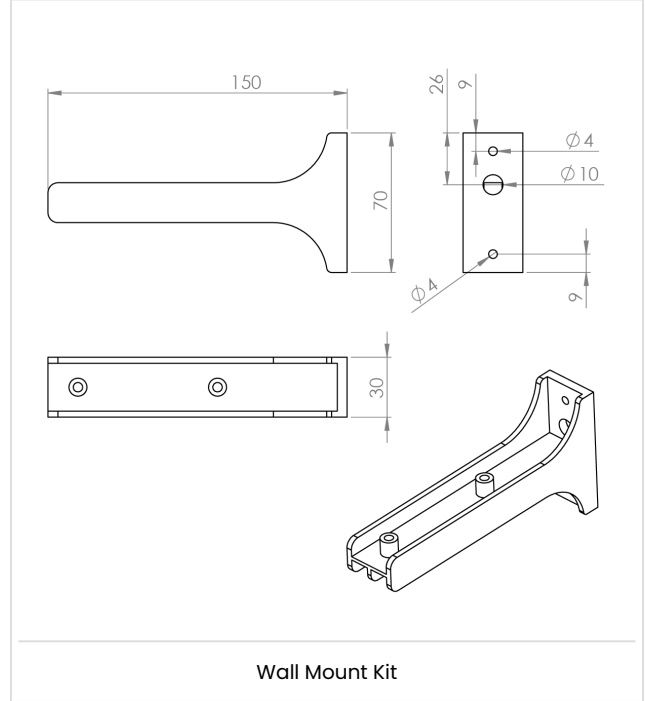
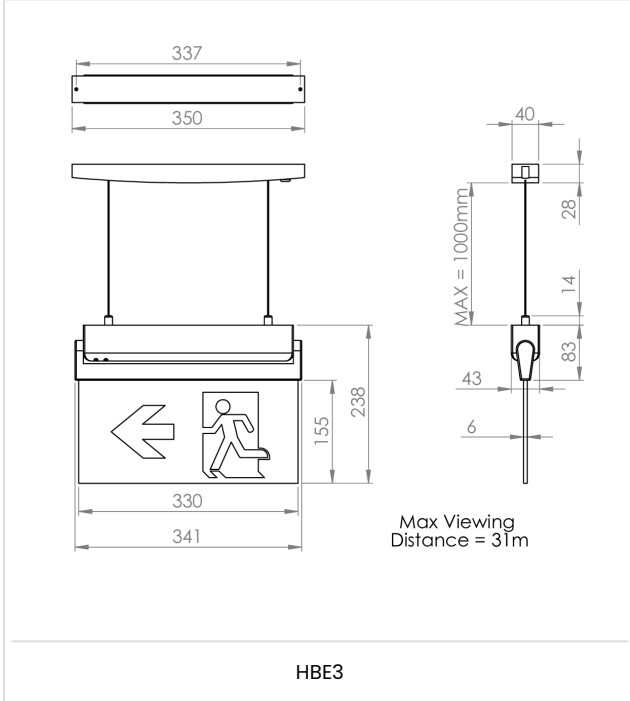


Coleg Cambria, Deeside using the Runway Surface and HBE 2 LED



Costigans-Rhyl Digital Hub using the HBE2 LED

TECHNICAL



WARRANTY

At Dextra our commitment to service has been at the forefront throughout our history spanning more than forty years in the UK lighting market. Our service ethos extends beyond design and delivery, we believe supporting your installation throughout the warranty period is equally crucial, whilst the strength and longevity of Dextra Group provides peace of mind that our warranty will be supported throughout.

The Dextra range is supplied with a five year warranty commencing from the date of delivery. During the first three years defects will be repaired on site and the warranty will include both parts and labour. For the final two years drivers, emergency modules, wireless modules, sensors and LED circuits will be supplied free of charge to replace defective components, labour and other associated costs are not included.

Certain ranges and components are subject to exemptions:

- ▶ Lithium batteries are provided with a five year warranty. During the first three years defects will be repaired on site and the warranty will include both parts and labour. For the final two years replacement batteries will be supplied free of charge to replace defective components. Five year warranty became effective as of 03/02/25, Lithium emergency luminaires supplied prior to this date are supported with a three year on site warranty only. Labour and other associated costs are not included. Nickel Metal Hydride and Nickel Cadmium batteries are provided with a one year warranty for parts and labour.
- ▶ Emergency luminaires including AME2, EXI LED, EXI3, HBE3, HBE4, OAT2 LED and Twinspace are supplied with a one year warranty for parts and labour. Lithium variants suffixed with the 5YR part code, the Autotest emergency with the LA3 part code and wireless variants with LA3RC or LSTR part codes are supplied with a five year warranty. For these extended warranty variants for the first three years defects will be repaired on site and the warranty will include both parts and labour. For the final two years replacement batteries will be supplied free of charge to replace defective components.
- ▶ Protec Micro, PTECF7 Fire Rated Downlights, Serenus and the Opus Sconce are provided with a five year replacement luminaire only warranty. Protec FR Fire Rated Downlights are provided with a 2 year replacement luminaire only warranty.
- ▶ Controls systems such as standalone sensors, switches, marshalling boxes and cabling are provided with a one year warranty for both parts and labour. DALI control systems are provided with a two year warranty for both parts and labour.
- ▶ LEDextra ranges are supplied with a three year parts or replacement luminaire only warranty with the exception of the IMPR RGBW, the Runway RGBW, the MOD RGBW, Tanek RGBW and the DexRing. These five ranges are supplied with our standard five year warranty during which defects within the first three years will be repaired on site and the warranty includes both parts and labour. For the final two years free of charge replacement components only will be supplied to rectify any failures but labour and other associated costs are not included.
- ▶ LEDEX ranges are supplied with a three year replacement luminaire only warranty.
- ▶ The Decorative Pendant ranges, Bebo, Dene, Nova, Fino and Stix are supplied with a 3 year replacement luminaire only warranty.

All warranties are subject to correct use of the product and will be invalidated by misuse, for example incorrect installation, unsuitable environmental conditions or incorrect maintenance. It is the duty of the customer to ensure that all the fault lies with the luminaire prior to requesting replacement parts or site repairs. In the event that no defect is found with the product our costs for attending site will be recharged to the customer and credit

will not be issued against returned products. No consequential losses incurred resulting from any defect with our product will be reimbursed.

Given the nature of LED technology a small percentage of LEDs may fail during the lifetime of a luminaire, this does not cause a reduction in lumen output. As such LED luminaires are only deemed to be faulty for warranty purposes when in excess of ten percent of LEDs have failed in a single luminaire.

On site repair of products under warranty will be undertaken during normal working hours, 9am to 5pm Monday to Friday, and will require unrestricted access to luminaires. Where required Dextra will provide access equipment to carry out repairs at height, should luminaires have been installed in locations where reasonable provision for maintenance access has not been made we reserve the right to supply replacement product only. On site warranty repairs will only be undertaken on the mainland of the UK and Ireland, in all other locations replacement product only will be provided.

If you require any assistance with regards to our products please contact our Customer Services department on 01747 858100.

ORDER CODES

LUMINAIRE

Code	Description	Power
HBE3 M3 LE3	HBE3, Lithium Maintained, Standard Emergency 3 Hour, 6 Legend Pack	2.7W
HBE3 M3 LS3	HBE3, Lithium Maintained, Selftest Emergency 3 Hour, 6 Legend Pack	2.7W

All products are supplied with a 1 year battery warranty

MISCELLANEOUS

Code	Description
HBE3 RK	HBE3 Recessing Kit
HBE3 WMK	HBE3 Wall Mounting Kit
HBE3 LED 5M WIRE KIT	HBE3 5M Suspension Kit

HBE3 M3 LE3/LS3 Installation Leaflet

Voltage: 220-240V / 50-60Hz
 LED Power: 1.8W
 Battery: Li-FeP04 18650 3.2V 1500mAh
 Operating Temperature: 0°C - 40°C
 IP20



WARNING - THIS LUMINAIRE MUST BE EARTHED

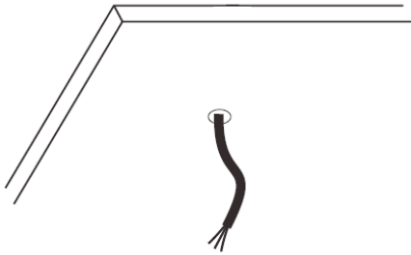
This luminaire has been tested and is manufactured to comply with BS EN 60598 : specification for general requirements and tests. It should be installed by a suitably qualified person in accordance with IEE.

CAUTION: there is a potential risk of electric shock from the LED boards when the product is operational with the cover removed.

NOTE: INSTALLATION AND OPERATION OF THE LUMINAIRE BEYOND ITS SCOPE OF SUPPLY WILL INVALIDATE THE WARRANTY.

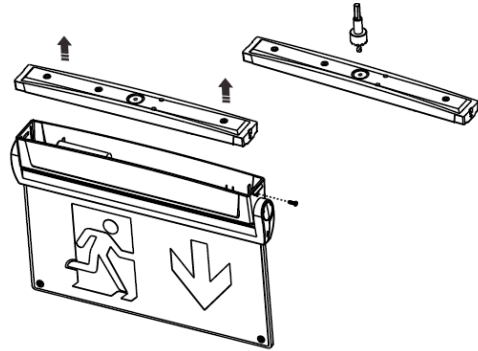
BEFORE installation, the electrical supply and battery pack **MUST** be disconnected.

1. Ceiling/Wall surface mount



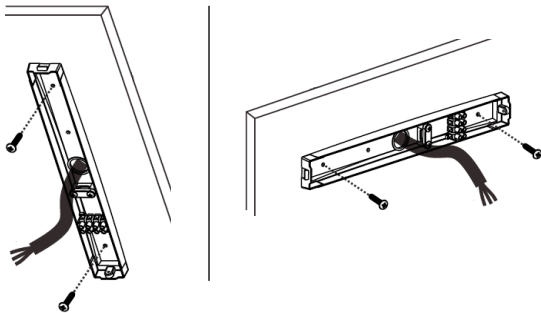
Drill a hole in the ceiling and feed the cable through.

2.



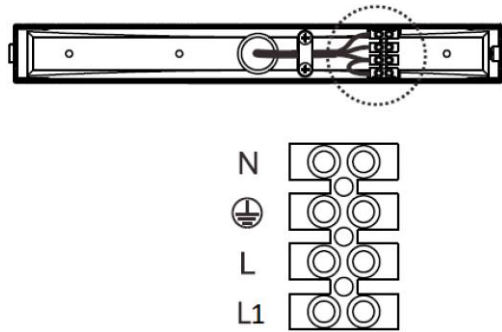
Remove the top cover and drill the cable entry hole in the indicated location.

3.



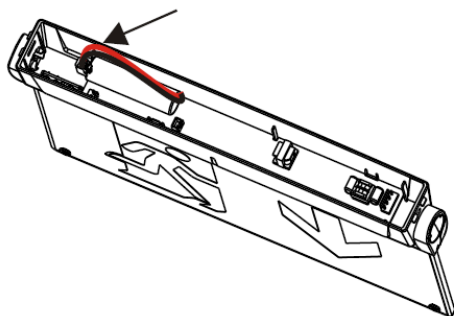
Drill two fixing holes and secure the cover in place with two screws.

4.



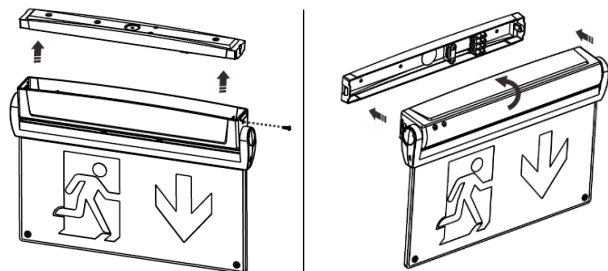
Pass the cable through and wire directly into the terminal block. Secure the mains cable using the internal cable clamp.

5.



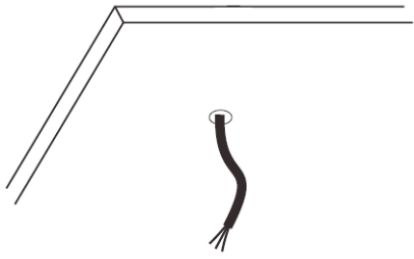
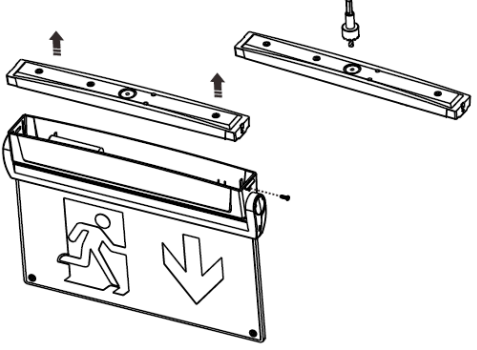
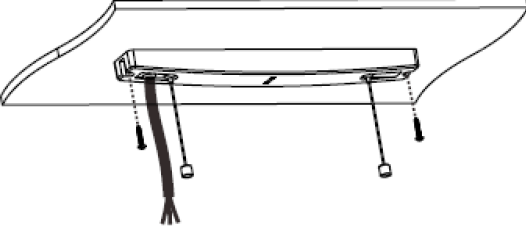
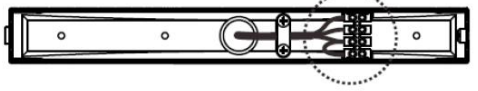
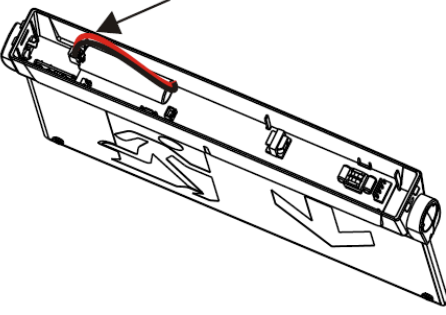
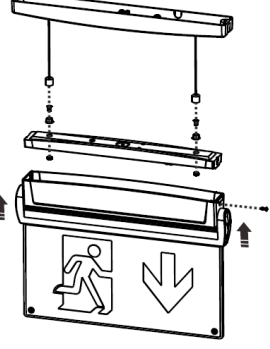
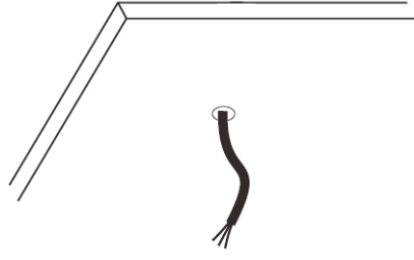
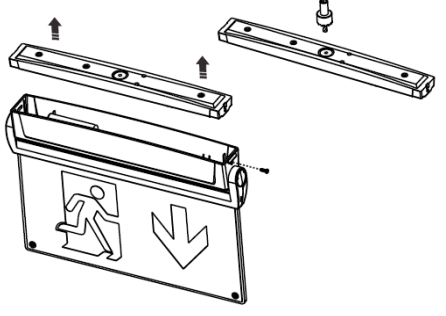
Connect the battery.

6.

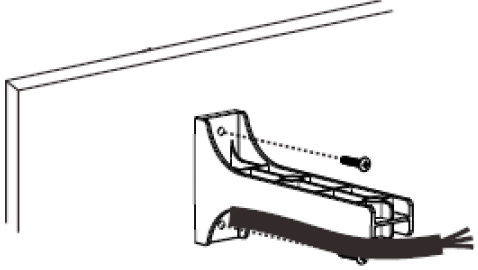
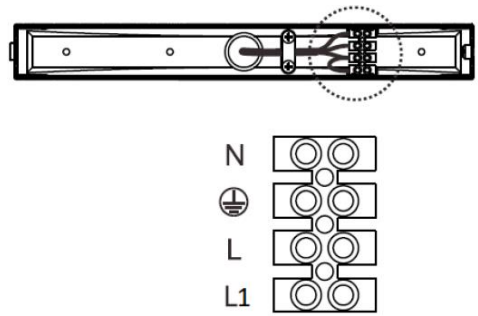
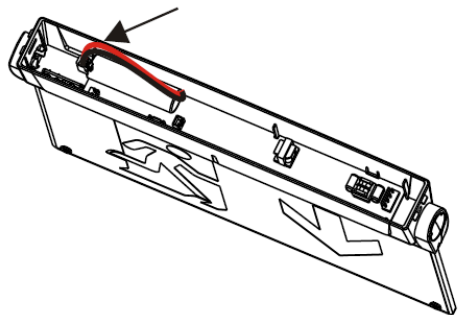
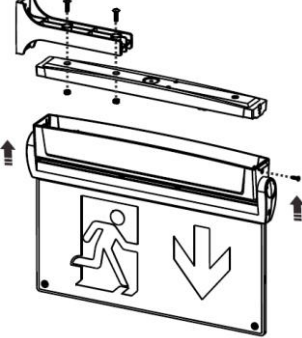
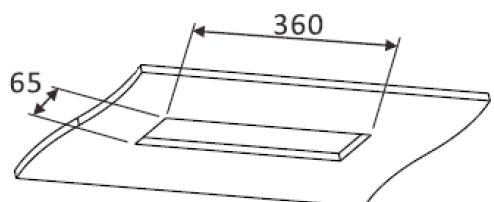
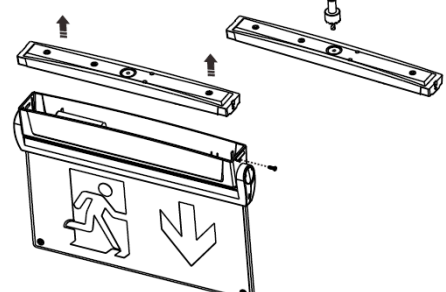
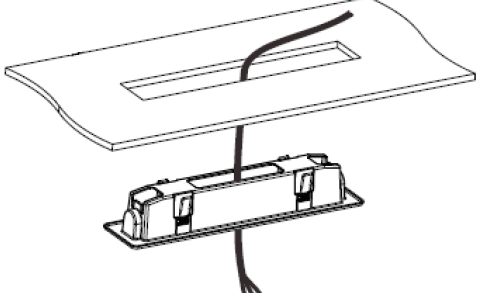
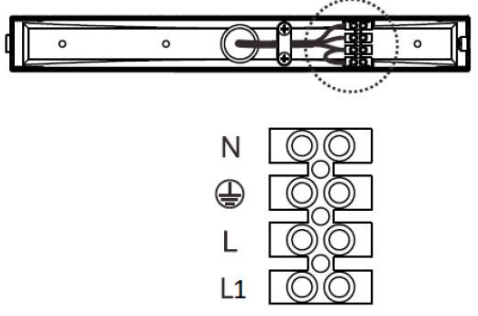


Attach the fitting to the top cover and secure in place. When wall mounting, rotate the body 90 degrees and secure in place.

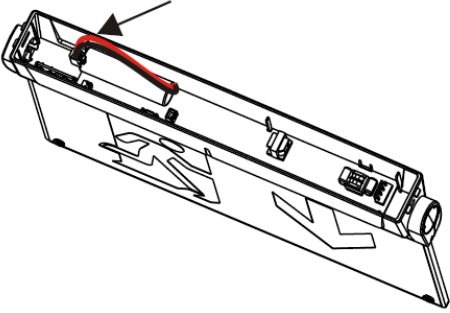
HBE3 M3 LE3/LS3 Installation Leaflet

<p>1. Suspended installation</p>  <p>Drill a hole in the ceiling and feed the cable through.</p>	<p>2.</p>  <p>Remove the top cover and drill the cable entry hole in the indicated location.</p>								
<p>3.</p>  <p>Drill two fixing holes and secure the bracket in place with two screws.</p>	<p>4.</p>  <table border="0" data-bbox="1109 840 1276 1030"> <tr> <td>N</td> <td></td> </tr> <tr> <td></td> <td></td> </tr> <tr> <td>L</td> <td></td> </tr> <tr> <td>L1</td> <td></td> </tr> </table> <p>Pass the cable through and wire directly into the terminal block. Secure the mains cable using the internal cable clamp.</p>	N				L		L1	
N									
L									
L1									
<p>5.</p>  <p>Connect the battery.</p>	<p>6.</p>  <p>Attach the top cover to the suspended bracket and secure the fitting in place.</p>								
<p>1. Side-mounted</p>  <p>Drill a hole in the ceiling and feed the cable through.</p>	<p>2.</p>  <p>Remove the top cover and drill the cable entry hole in the indicated location.</p>								

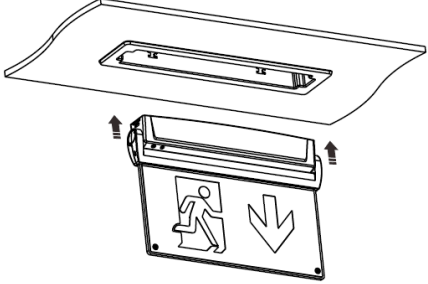
HBE3 M3 LE3/LS3 Installation Leaflet

<p>3.</p>  <p>Drill two holes and secure the side bracket with two screws.</p>	<p>4.</p>  <p>Pass the cable through and wire directly into the terminal block. Secure the mains cable using the internal cable clamp.</p>
<p>5.</p>  <p>Connect the battery.</p>	<p>6.</p>  <p>Attach the top cover to the side bracket and secure the fitting in place.</p>
<p>1. Recessed</p>  <p>Make a cut-out in the ceiling using the dimensions pictured.</p>	<p>2.</p>  <p>Remove the top cover and drill the cable entry hole in the indicated location.</p>
<p>3.</p>  <p>Pass the cable through, and install the recessed bracket.</p>	<p>4.</p>  <p>Pass the cable through and wire directly into the terminal block. Secure the mains cable using the internal cable clamp.</p>

HBE3 M3 LE3/LS3 Installation Leaflet

5. 

Connect the battery.

6. 

Install the fitting in the recessed bracket and secure in place.

7. Reconnect the power supply and check that the green LED indicator is illuminated. This green indicator confirms the battery is charging.

LS3 only:

Any faults with the luminaire will be displayed by a flashing red indicator.

Normal operation - Green indicator
 Battery failure - Red indicator, **once every 3 seconds**
 Lighting source failure - Red indicator, **twice every 3 seconds**
 Less than rated duration time - Red indicator, **three times every 3 seconds**

8. Self-Test (LS3 only):

Every month, the luminaire will undergo an automatic test which lasts for 10 minutes. An annual duration test will also occur for a total of 3 hours. The luminaire will return to normal operation once the test has finished.

During testing, the battery is not charging and the red LED indicator will flash continuously.

9. Do **NOT** cover the luminaire in any way and provide sufficient ventilation.

Installation is now complete.

EMERGENCY LIGHTING TEST RECORD CARD											
LOCATION....		Date Installed...				Installed by...					
TEST	MONTH	YEAR 1		YEAR 2		YEAR 3		YEAR 4		YEAR 5	
		Signed	Date	Signed	Date	Signed	Date	Signed	Date	Signed	Date
1	FUNCT										
2	FUNCT										
3	FUNCT										
4	FUNCT										
5	FUNCT										
6	FUNCT										
7	FUNCT										
8	FUNCT										
9	FUNCT										
10	FUNCT										
11	FUNCT										
12	3HOUR										