



## PRODUCT SPECIFICATION

---

### GLIDE POWER



---

## INTRODUCTION

---

The Glide Power combines wall grazing lensed optics with high lumen outputs. With a weather resistant RAL 9006 grey paint finish, fully potted construction, extruded aluminium housing and toughened glass cover with IP66 rating the Glide Power is suitable for both internal and external applications yet maintains a discreet and compact design. With 10×40° and 50×50° beam angles available as standard the Glide Power is ideal for wall grazing applications at 3-6m, however a wide range of alternative beam angles are available on request. The Glide Power is supplied complete with IP66 rated plug and socket connectors allowing for quick and simple installation as well as optional wall brackets. DMX drivers are supplied as standard providing complete control of your lighting installation. Where required to suit your architectural theme the Glide Power can be specified in custom housing colours.

**UK**  
**CA** CE IP66 IK08 230V

---

## APPLICATION

---

- Façade Lighting
- Hotel / Leisure
- Parking / Exterior
- Retail
- Shop Front

---

## SPECIFICATION

---

### CONSTRUCTION

- Housing: 0.7mm CR4 steel
- Housing: Extruded aluminium
- Toughened glass cover
- IK08
- IP66 housing and electrical connectors

### ENVIRONMENTAL

- Designed to allow simple replacement of components with commonly available tools in compliance with the Eco Design Directive, please see the installation leaflet for maintenance instructions.
- Powered by European branded drivers and emergency modules ensuring replacement parts are easily sourced.
- Every luminaire is labelled with a unique ID number allowing easy identification of spare parts for the lifetime of the product.
- Contains no single use plastics or polystyrene packaging.
- Supplied in plain card boxes with paper tape ensuring packaging is easily recycled.
- Designed to allow simple disassembly for end of life recycling.
- UK based manufacturing providing local support throughout the product lifetime and minimising transportation miles.

### INSTALLATION

- Supplied complete with angle adjustable mounting brackets
- Supplied with prewired leads for rapid low cost installation

### VARIATIONS

- Available in a range of lumen outputs and lens options offering multiple beam angles
- RAL9006 Grey as standard, other colours available on request

### PERFORMANCE

- 50,000 operating hours

---

## IMAGES

---

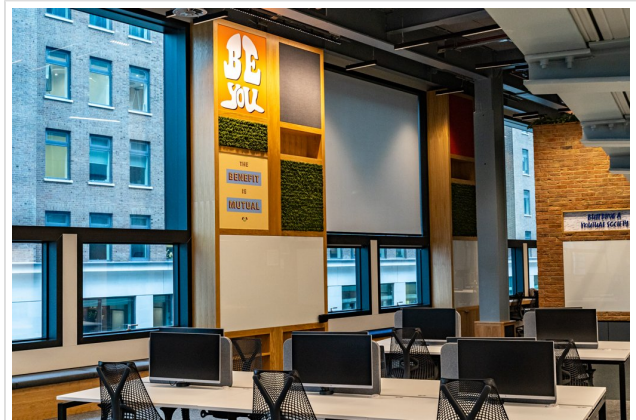
### PRODUCT IMAGES



PROJECT IMAGES



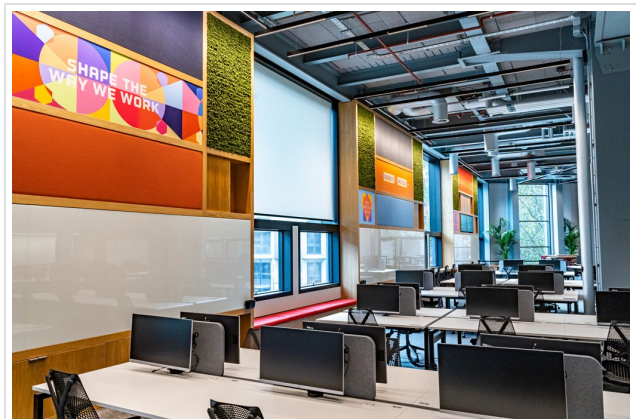
The Post Building in London using the Glide Mini and Glide Power



The Post Building in London using the Glide Mini and Glide Power

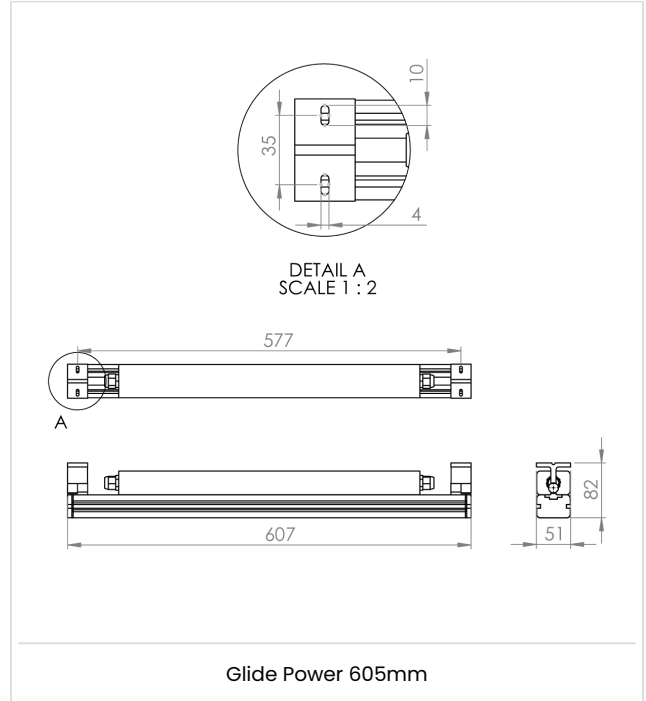
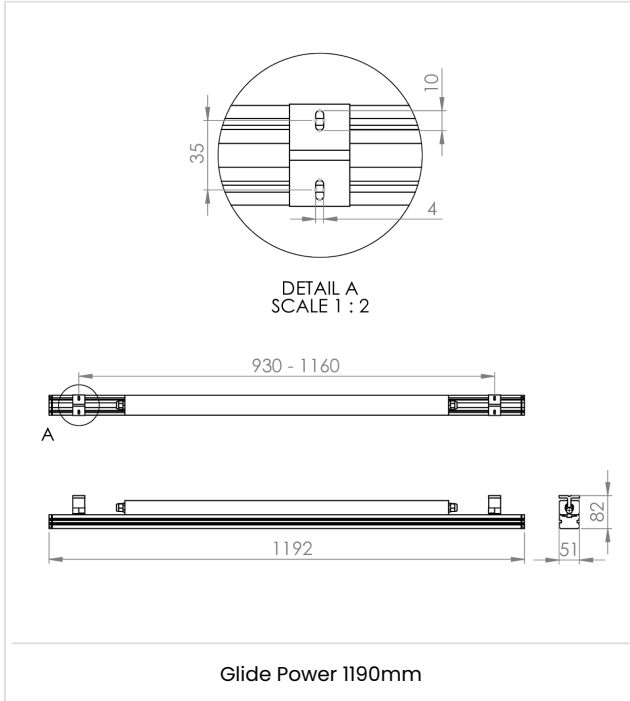


The Post Building in London using the Glide Mini and Glide Power



The Post Building in London using the Glide Mini and Glide Power

TECHNICAL



---

## WARRANTY

---

At Dextra our commitment to service has been at the forefront throughout our history spanning more than forty years in the UK lighting market. Our service ethos extends beyond design and delivery, we believe supporting your installation throughout the warranty period is equally crucial, whilst the strength and longevity of Dextra Group provides peace of mind that our warranty will be supported throughout.

The Dextra range is supplied with a five year warranty commencing from the date of delivery. During the first three years defects will be repaired on site and the warranty will include both parts and labour. For the final two years drivers, emergency modules, wireless modules, sensors and LED circuits will be supplied free of charge to replace defective components, labour and other associated costs are not included.

Certain ranges and components are subject to exemptions:

- ▶ Lithium batteries are provided with a five year warranty. During the first three years defects will be repaired on site and the warranty will include both parts and labour. For the final two years replacement batteries will be supplied free of charge to replace defective components. Five year warranty became effective as of 03/02/25, Lithium emergency luminaires supplied prior to this date are supported with a three year on site warranty only. Labour and other associated costs are not included. Nickel Metal Hydride and Nickel Cadmium batteries are provided with a one year warranty for parts and labour.
- ▶ Emergency luminaires including AME2, EXI LED, EXI3, HBE3, HBE4, OAT2 LED and Twinspace are supplied with a one year warranty for parts and labour. Lithium variants suffixed with the 5YR part code, the Autotest emergency with the LA3 part code and wireless variants with LA3RC or LSTR part codes are supplied with a five year warranty. For these extended warranty variants for the first three years defects will be repaired on site and the warranty will include both parts and labour. For the final two years replacement batteries will be supplied free of charge to replace defective components.
- ▶ Protec Micro, PTECF7 Fire Rated Downlights, Serenus and the Opus Sconce are provided with a five year replacement luminaire only warranty. Protec FR Fire Rated Downlights are provided with a 2 year replacement luminaire only warranty.
- ▶ Controls systems such as standalone sensors, switches, marshalling boxes and cabling are provided with a one year warranty for both parts and labour. DALI control systems are provided with a two year warranty for both parts and labour.
- ▶ LEDextra ranges are supplied with a three year parts or replacement luminaire only warranty with the exception of the IMPR RGBW, the Runway RGBW, the MOD RGBW, Tanek RGBW and the DexRing. These five ranges are supplied with our standard five year warranty during which defects within the first three years will be repaired on site and the warranty includes both parts and labour. For the final two years free of charge replacement components only will be supplied to rectify any failures but labour and other associated costs are not included.
- ▶ LEDEX ranges are supplied with a three year replacement luminaire only warranty.
- ▶ The Decorative Pendant ranges, Bebo, Dene, Nova, Fino and Stix are supplied with a 3 year replacement luminaire only warranty.

All warranties are subject to correct use of the product and will be invalidated by misuse, for example incorrect installation, unsuitable environmental conditions or incorrect maintenance. It is the duty of the customer to ensure that all the fault lies with the luminaire prior to requesting replacement parts or site repairs. In the event that no defect is found with the product our costs for attending site will be recharged to the customer and credit

will not be issued against returned products. No consequential losses incurred resulting from any defect with our product will be reimbursed.

Given the nature of LED technology a small percentage of LEDs may fail during the lifetime of a luminaire, this does not cause a reduction in lumen output. As such LED luminaires are only deemed to be faulty for warranty purposes when in excess of ten percent of LEDs have failed in a single luminaire.

On site repair of products under warranty will be undertaken during normal working hours, 9am to 5pm Monday to Friday, and will require unrestricted access to luminaires. Where required Dextra will provide access equipment to carry out repairs at height, should luminaires have been installed in locations where reasonable provision for maintenance access has not been made we reserve the right to supply replacement product only. On site warranty repairs will only be undertaken on the mainland of the UK and Ireland, in all other locations replacement product only will be provided.

**If you require any assistance with regards to our products please contact our Customer Services department on 01747 858100.**

---

**ORDER CODES**

---

**LUMINAIRE**

Code	Description	Power	Llm/W
GEP L27 1040 DMX C84	Glide Power, 605mm, 2,808lm, 10x40°, IP66, DMX, Colour 84	31.7W	89
GEP L27 1040 DMX C83	Glide Power, 605mm, 2,808lm, 10x40°, IP66, DMX, Colour 83	31.7W	89
GEP L27 5050 DMX C84	Glide Power, 605mm, 2,100lm, 50x50°, IP66, DMX, Colour 84	26.7W	79
GEP L27 5050 DMX C83	Glide Power, 605mm, 2,100lm, 50x50°, IP66, DMX, Colour 83	26.7W	79
GEP L54 1040 DMX C84	Glide Power, 1190mm, 6,481lm, 10x40°, IP66, DMX, Colour 84	67.5W	96
GEP L54 1040 DMX C83	Glide Power, 1190mm, 6,481lm, 10x40°, IP66, DMX, Colour 83	67.5W	96
GEP L54 5050 DMX C84	Glide Power, 1190mm, 7,021lm, 50x50°, IP66, DMX, Colour 84	67.5W	104
GEP L54 5050 DMX C83	Glide Power, 1190mm, 7,021lm, 50x50°, IP66, DMX, Colour 83	67.5W	104

**MISCELLANEOUS**

Code	Description
GLIDE WB	Glide Wall Bracket - 350mm - 560mm

## Glide Installation

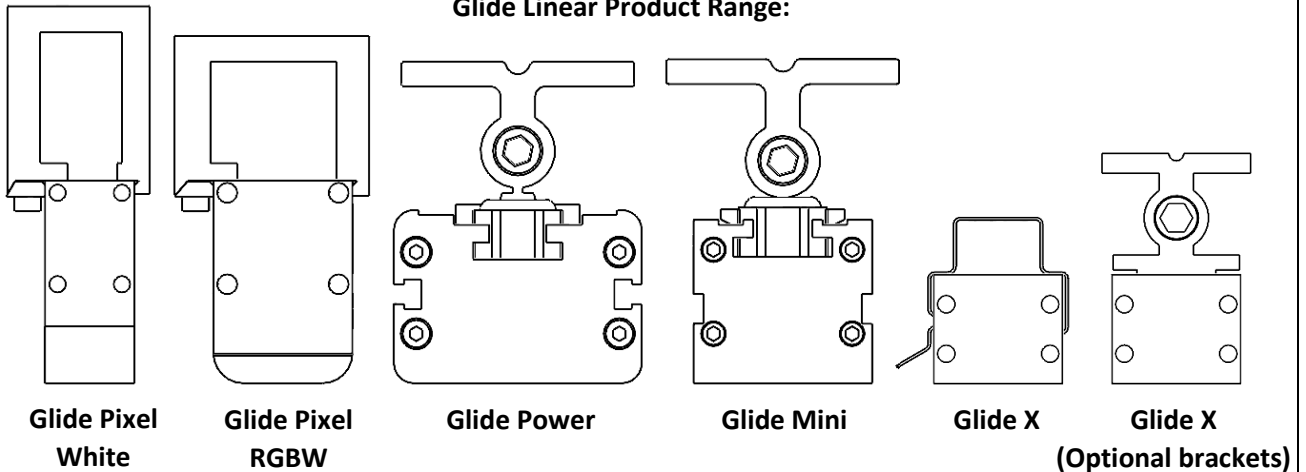
220-240V / 50-60Hz  
 IP20 - IP66  
 (Dependant on product)



Terminal Labelling:	
<b>Power</b>	
L1	Switched Live
E	Earth
N	Neutral
<b>Emergency</b>	
L2	Unswitched Live
DA/AT3	DALI Autotest
DA/AT3	DALI Autotest
<b>Dimming</b>	
-D1/DA	Analogue/DSI/DALI
+D2/DA	Analogue/DSI/DALI
L3	Switch Dim / Corridor Function

**WARNING:** Luminaire must be earthed. Risk of electric shock from LED boards if operated with cover removed. Installation / operation outside of luminaires intended scope invalidates warranty. Suitable only for domestic / light industrial / industrial applications within the scope of EN55015. Tested to compliance with BSEN 60598: specification for general requirements and tests. Must be installed by a suitably qualified person in accordance with all relevant legislation. Ambient operating temperature of 0°C to 25°C. If maximum operating temperature is exceeded luminaire will automatically dim / switch off. Terminal blocks are rated to 16A unless stated otherwise. The light source is non replaceable. **LUMINAIRES WITH EMERGENCY PACK:** When supply is isolated battery output terminals may be live if battery is connected. Isolate mains and battery before servicing. Emergency luminaires require unswitched live connection taken from same phase as switched supply. When unswitched supply is connected status indicator illuminates green, when unswitched supply is disconnected indicator extinguishes and luminaire operates in emergency mode. 24 hour charge period required before undertaking full discharge test. Emergency test sheets provided should be used to record all emergency tests. Batteries should be replaced when 3 hour duration is not met. Excessive switching of permanent live may result in premature battery failure. Battery electrolyte can be harmful to eyes / open wounds, do not puncture, if electrolyte touches skin / eyes flush with water. Do not incinerate batteries.

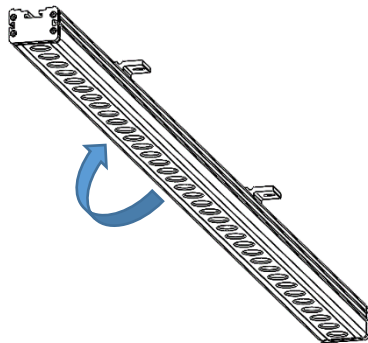
### Glide Linear Product Range:



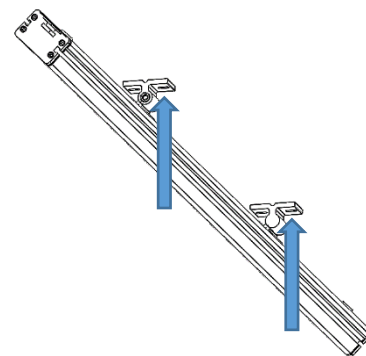
#### 1. Glide Power/Glide Mini

IP66

#### 2.

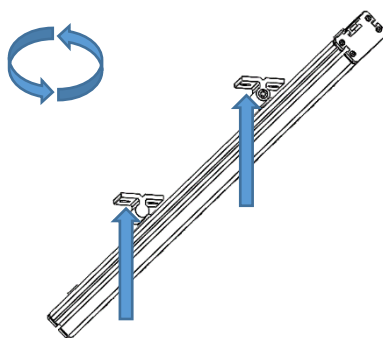


Position the fitting in the desired location and tilt to one side.



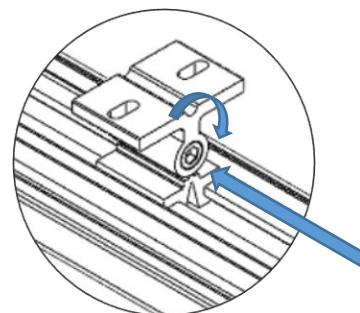
Fix one side of the brackets to the mounting surface.

#### 3.



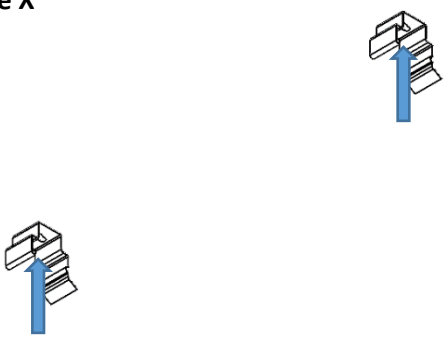
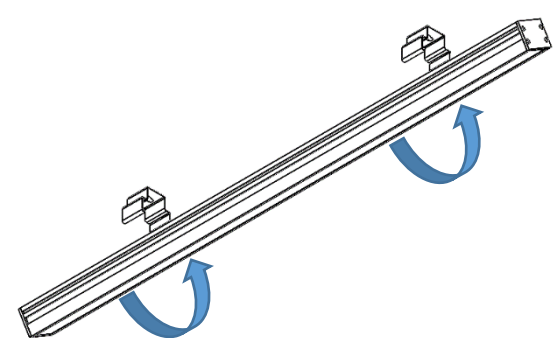
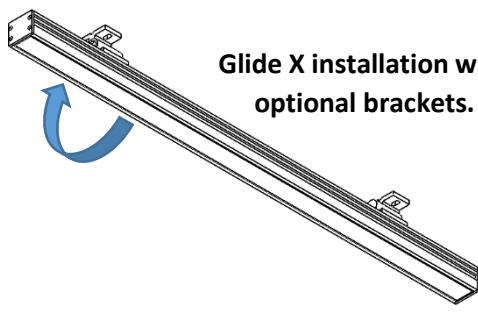
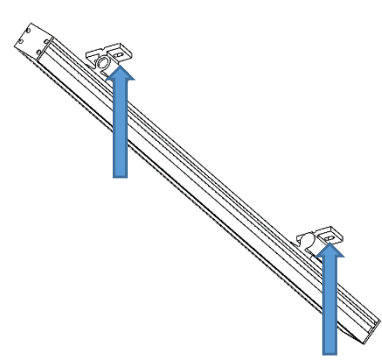
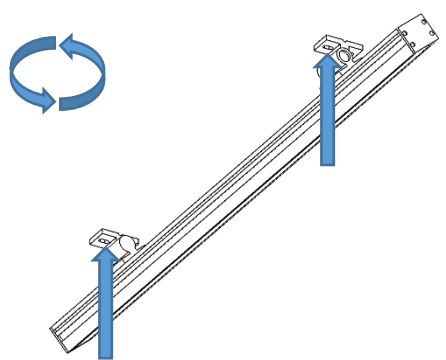
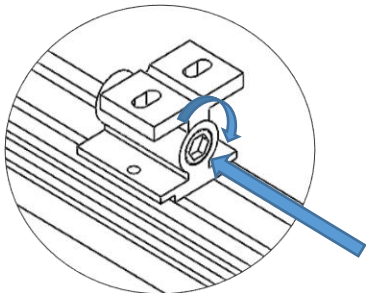
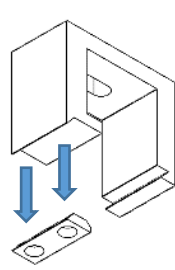

Rotate the fitting and fix the brackets on the opposite side.

#### 4.

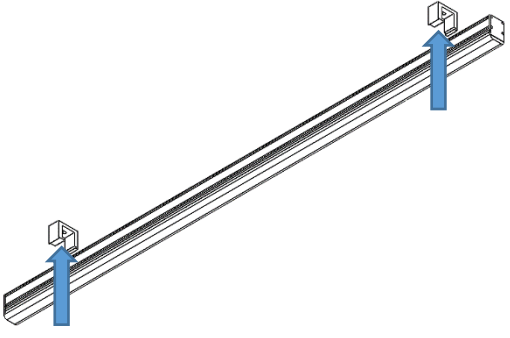
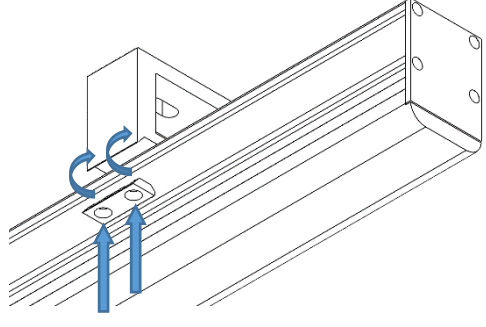
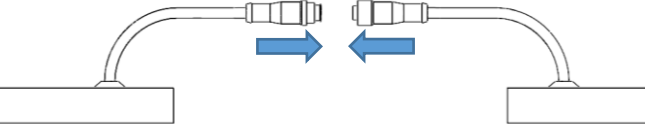
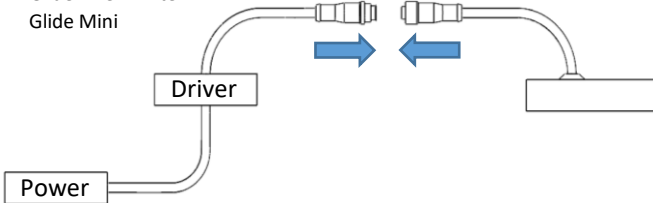
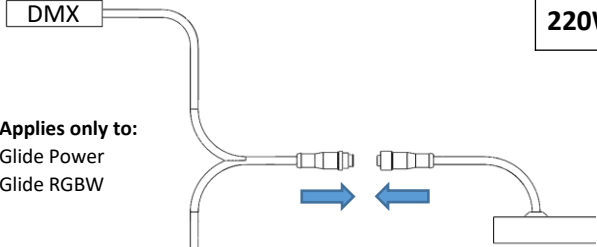
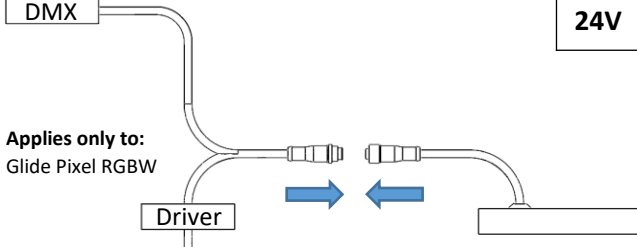


Once secure, position the fitting to the desired angle and then tighten the adjustable bracket on each end.

## Glide Installation

<p><b>1. Glide X</b></p> <p>IP20</p>  <p>Packed with spring steel clips as standard. Secure these clips in the desired location.</p>	<p><b>2.</b></p>  <p>Lift and tilt the fitting so it snaps into the two brackets.</p>
<p><b>3.</b></p>  <p><b>Glide X installation with optional brackets.</b></p> <p>Position the fitting in the desired location and tilt to one side.</p>	<p><b>4.</b></p>  <p>Fix one side of the brackets to the mounting surface.</p>
<p><b>5.</b></p>  <p>Rotate the fitting and fix the brackets on the opposite side.</p>	<p><b>6.</b></p>  <p>Once secure, position the fitting to the desired angle and then tighten the adjustable bracket on each end.</p>
<p><b>1. Glide Pixel RGBW/ Glide Pixel White</b></p> <p>IP66</p>  <p><b>X 2</b></p> <p>Remove the two screws that are holding the bracket together.</p>	<p><b>2.</b></p>  <p>Position the brackets. Secure these clips in the desired location.</p>

## Glide Installation

<p>3.</p>  <p>Offer the fitting up to the fixed brackets, and hold in place.</p>	<p>4.</p>  <p>Reinsert the plate that was removed and secure in place using the screws provided.</p>
<p><b>Connection method for Glide range:</b></p>  <p>Connect to the next fitting in a daisy chain. <b>Consult supplier regarding maximum number of fixtures allowed to be connected in a daisy chain.</b></p>	<p><b>24V</b></p> <p>Applies only to: Glide X Glide Pixel White Glide Mini</p>  <p><b>NON DMX FITTING</b></p> <p>Connect the first fitting to the driver. Then connect the driver to the power to complete the installation.</p>
<p><b>220W</b></p> <p>Applies only to: Glide Power Glide RGBW</p>  <p><b>DMX FITTING</b></p> <p>Connect the first fitting to the power and the DMX controller using the 6 pole cable supplied.</p>	<p><b>24V</b></p> <p>Applies only to: Glide Pixel RGBW</p>  <p><b>DMX FITTING</b></p> <p>Connect the first fitting to the driver. Then connect the driver to the power and the DMX controller, using the 4 pole cable supplied.</p>