



## PRODUCT SPECIFICATION

---

COULIS MAXI



---

## INTRODUCTION

---

The Coulis has been designed to offer a simple yet effective solution for lighting displays, manufactured from die cast aluminium the tubular design of the head with pin stripe detailing and deep-set black reflector bezel combines classical design with contemporary elements. The mounting arm comes with an annotated dial allowing you to rotate the fitting head to the exact angle required ensuring that they can be positioned precisely and consistently with minimal effort along the length of the track. In addition the slim line flush mounted gear can come with a clear plastic cover on the rear enabling quick identification of the driver for ease of future maintenance. The Coulis is in two body sizes, with three beam angles and multiple lumen outputs and black or white housings.



CE IP20 3 STEP MACADAM ELLIPSE

---

## APPLICATION

---

- Accent Lighting
- Display Lighting
- Retail

---

## SPECIFICATION

---

### CONSTRUCTION

- Housing: High pressure die cast aluminium
- Finish: Polyester powder painted RAL 9016 textura matt white
- Finish: Polyester powder painted RAL 9005 textura matt black
- Lens: Injection moulded PMMA lens
- IP20

### PERFORMANCE

- Part L2 compliant
- 3SDCM Three step Macadams ellipse
- TM21: L90>60K Hours / L80>100K Hours
- Up to 133 luminaire lumens per circuit Watt.

### ENVIRONMENTAL

- Designed to allow simple replacement of components with commonly available tools in compliance with the Eco Design Directive, please see the installation leaflet for maintenance instructions.
- Powered by European branded drivers and emergency modules ensuring replacement parts are easily sourced.
- Every luminaire is labelled with a unique ID number allowing easy identification of spare parts for the lifetime of the product.
- Contains no single use plastics or polystyrene packaging.
- Supplied in plain card boxes with paper tape ensuring packaging is easily recycled.
- Designed to allow simple disassembly for end of life recycling.
- UK based manufacturing providing local support throughout the product lifetime and minimising transportation miles.

### EMERGENCY

- Not available with emergency

### CONTROL

- Optional DALI dimming

### INSTALLATION

- Suitable for three circuit track installation

### VARIATIONS

- Available with a wide range of colour temperatures and renderings
- Available in a range of lumen outputs
- Available in white or black finishes
- Available with Philips Premium White, Premium Colour, Crisp White, Food Premium Red or Warm White

IMAGES

PRODUCT IMAGES

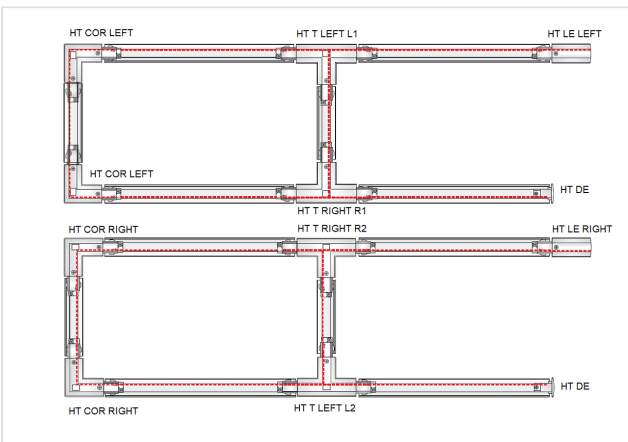




Coulis Maxi White



Coulis Maxi Black



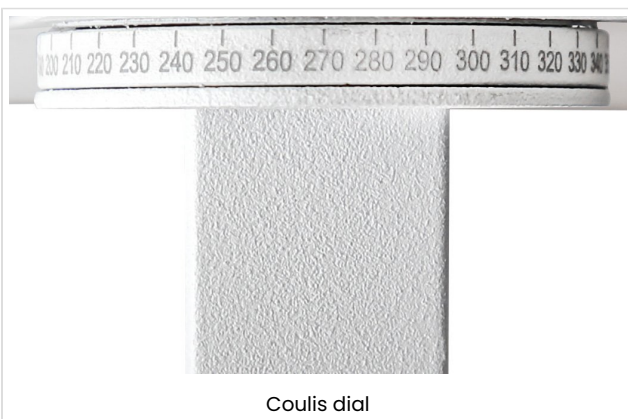
Coulis Maxi Black



Coulis Maxi Black

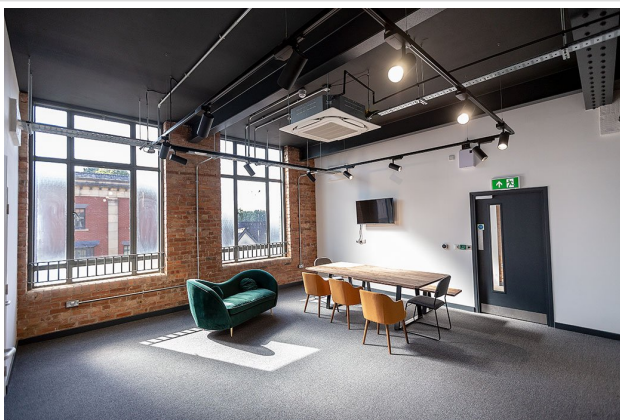


Coulis Maxi Black

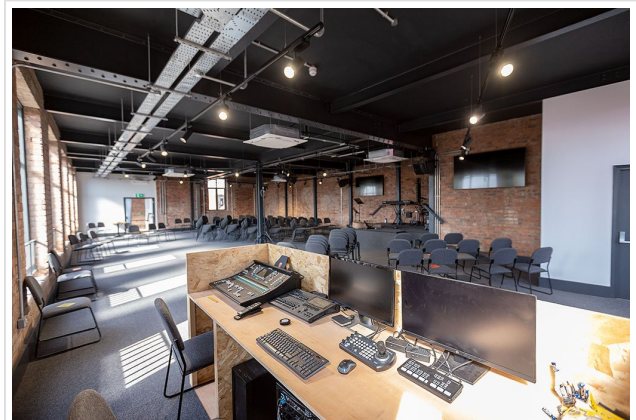


Coulis dial

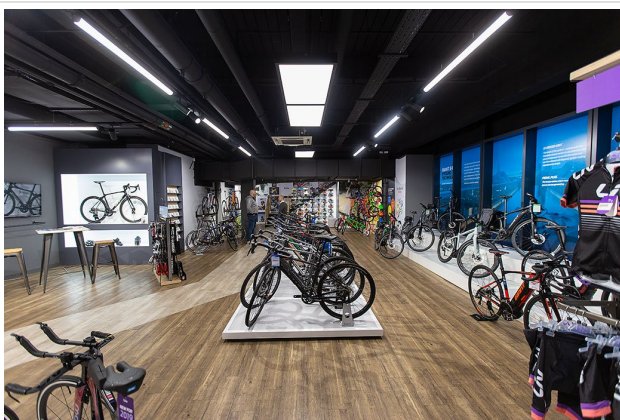
PROJECT IMAGES



Hope Street Church using the Coulis Maxi



Hope Street Church using the Coulis Maxi

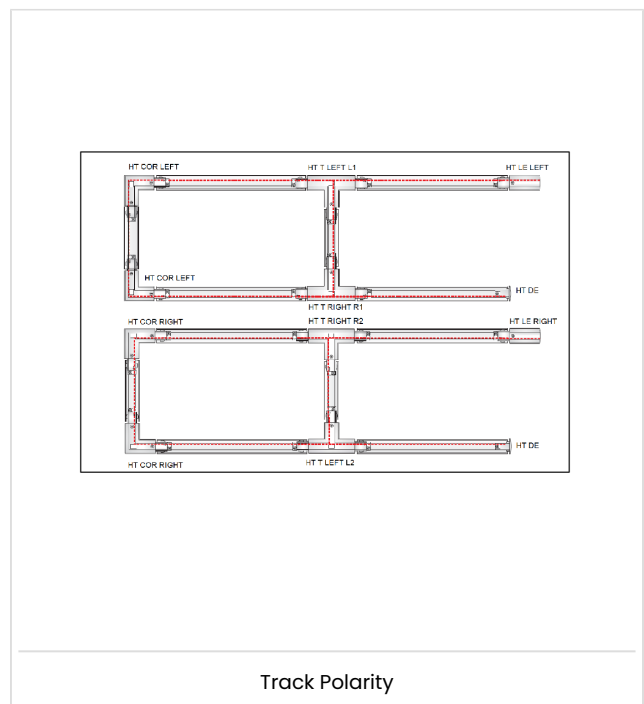
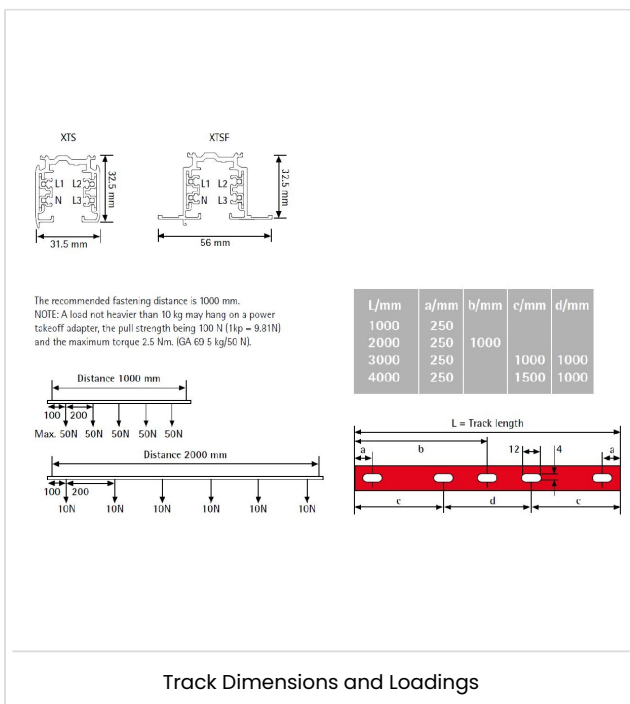
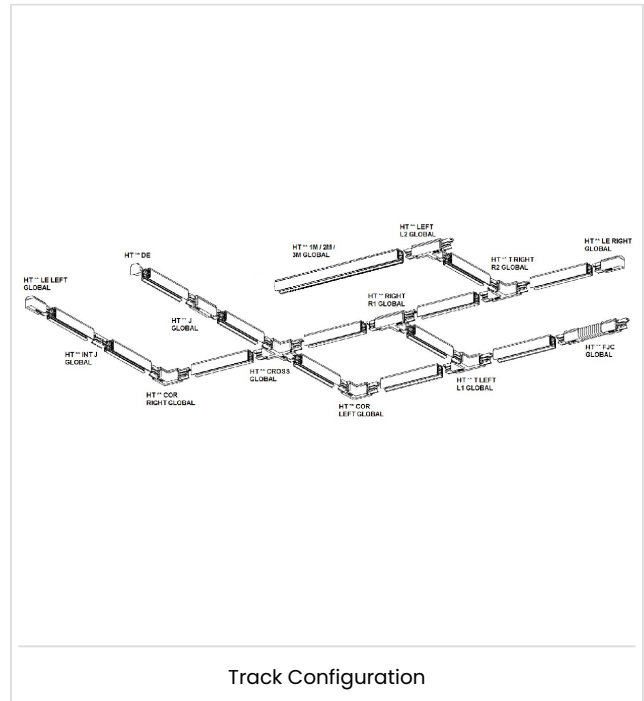
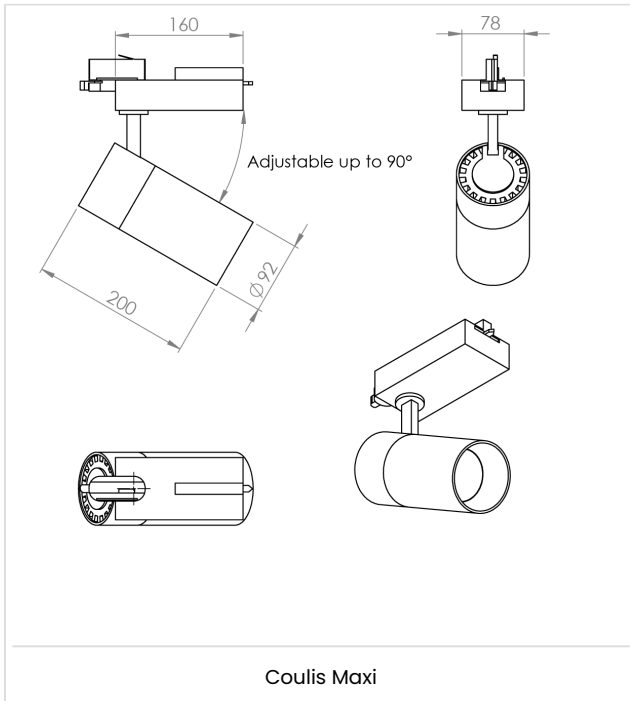


A store using the Coulis Maxi in black



The Coulis Maxi in black being used in a retail environment.

TECHNICAL



---

## WARRANTY

---

At Dextra our commitment to service has been at the forefront throughout our history spanning more than forty years in the UK lighting market. Our service ethos extends beyond design and delivery, we believe supporting your installation throughout the warranty period is equally crucial, whilst the strength and longevity of Dextra Group provides peace of mind that our warranty will be supported throughout.

The Dextra range is supplied with a five year warranty commencing from the date of delivery. During the first three years defects will be repaired on site and the warranty will include both parts and labour. For the final two years drivers, emergency modules, wireless modules, sensors and LED circuits will be supplied free of charge to replace defective components, labour and other associated costs are not included.

Certain ranges and components are subject to exemptions:

- ▶ Lithium batteries are provided with a five year warranty. During the first three years defects will be repaired on site and the warranty will include both parts and labour. For the final two years replacement batteries will be supplied free of charge to replace defective components. Five year warranty became effective as of 03/02/25, Lithium emergency luminaires supplied prior to this date are supported with a three year on site warranty only. Labour and other associated costs are not included. Nickel Metal Hydride and Nickel Cadmium batteries are provided with a one year warranty for parts and labour.
- ▶ Emergency luminaires including AME2, EXI LED, EXI3, HBE3, HBE4, OAT2 LED and Twinspace are supplied with a one year warranty for parts and labour. Lithium variants suffixed with the 5YR part code, the Autotest emergency with the LA3 part code and wireless variants with LA3RC or LSTR part codes are supplied with a five year warranty. For these extended warranty variants for the first three years defects will be repaired on site and the warranty will include both parts and labour. For the final two years replacement batteries will be supplied free of charge to replace defective components.
- ▶ Protec Micro, PTECF7 Fire Rated Downlights, Serenus and the Opus Sconce are provided with a five year replacement luminaire only warranty. Protec FR Fire Rated Downlights are provided with a 2 year replacement luminaire only warranty.
- ▶ Controls systems such as standalone sensors, switches, marshalling boxes and cabling are provided with a one year warranty for both parts and labour. DALI control systems are provided with a two year warranty for both parts and labour.
- ▶ LEDextra ranges are supplied with a three year parts or replacement luminaire only warranty with the exception of the IMPR RGBW, the Runway RGBW, the MOD RGBW, Tanek RGBW and the DexRing. These five ranges are supplied with our standard five year warranty during which defects within the first three years will be repaired on site and the warranty includes both parts and labour. For the final two years free of charge replacement components only will be supplied to rectify any failures but labour and other associated costs are not included.
- ▶ LEDEX ranges are supplied with a three year replacement luminaire only warranty.
- ▶ The Decorative Pendant ranges, Bebo, Dene, Nova, Fino and Stix are supplied with a 3 year replacement luminaire only warranty.

All warranties are subject to correct use of the product and will be invalidated by misuse, for example incorrect installation, unsuitable environmental conditions or incorrect maintenance. It is the duty of the customer to ensure that all the fault lies with the luminaire prior to requesting replacement parts or site repairs. In the event that no defect is found with the product our costs for attending site will be recharged to the customer and credit

will not be issued against returned products. No consequential losses incurred resulting from any defect with our product will be reimbursed.

Given the nature of LED technology a small percentage of LEDs may fail during the lifetime of a luminaire, this does not cause a reduction in lumen output. As such LED luminaires are only deemed to be faulty for warranty purposes when in excess of ten percent of LEDs have failed in a single luminaire.

On site repair of products under warranty will be undertaken during normal working hours, 9am to 5pm Monday to Friday, and will require unrestricted access to luminaires. Where required Dextra will provide access equipment to carry out repairs at height, should luminaires have been installed in locations where reasonable provision for maintenance access has not been made we reserve the right to supply replacement product only. On site warranty repairs will only be undertaken on the mainland of the UK and Ireland, in all other locations replacement product only will be provided.

**If you require any assistance with regards to our products please contact our Customer Services department on 01747 858100.**

---

**ORDER CODES**

---

**LUMINAIRE**

Code	Description	Power	Llm/W
COUL LS L30 25 GB	Coulis Maxi, 1,991lIm, 25° Lens, Colour 84, Global	18.2W	109
COUL LS L40 25 GB	Coulis Maxi, 2,656lIm, 25° Lens, Colour 84, Global	23.2W	114
COUL LS L50 25 GB	Coulis Maxi, 3,309lIm, 25° Lens, Colour 84, Global	29.7W	111
COUL LS L30 40 GB	Coulis Maxi, 2,397lIm, 40° Lens, Colour 84, Global	18.2W	132
COUL LS L40 40 GB	Coulis Maxi, 3,232lIm, 40° Lens, Colour 84, Global	23.2W	139
COUL LS L50 40 GB	Coulis Maxi, 4,142lIm, 40° Lens, Colour 84, Global	29.7W	139

**DIMMING**

Code	Description
A	DALI Digital Addressable Lighting Interface

**MISCELLANEOUS**

Code	Description
C**	Select Colour Temperature and Rendering; C83, C93, C94
BL	Black Finish

220-240V / 50-60Hz

**Terminal Labelling:**

**Power**

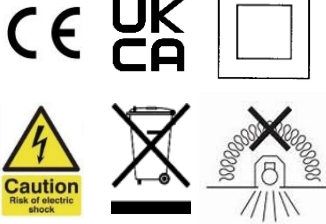
L1 Switched Live  
E Earth  
N Neutral

**Emergency**

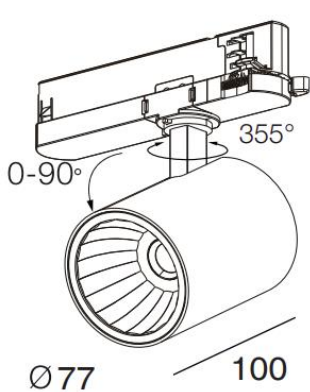
L2 Unswitched Live  
DA/AT3 DALI Autotest  
DA/AT3 DALI Autotest

**Dimming**

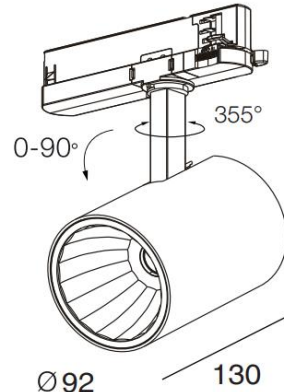
-/D1/DA Analogue/DSI/DALI  
+/D2/DA Analogue/DSI/DALI  
L3 Switch Dim / Corridor Function



**WARNING:** Luminaire must be earthed. Risk of electric shock from LED boards if operated with cover removed. Installation / operation outside of luminaires intended scope invalidates warranty. Suitable only for domestic / light industrial / industrial applications within the scope of EN55015. Tested to compliance with BSEN 60598: specification for general requirements and tests. Must be installed by a suitably qualified person in accordance with all relevant legislation. Ambient operating temperature of 0°C to 25°C. If maximum operating temperature is exceeded luminaire will automatically dim / switch off. Terminal blocks are rated to 16A unless stated otherwise. The light source contained in this luminaire shall only be replaced by the manufacturer or his service agent or a similar qualified person. **LUMINAIRES WITH EMERGENCY PACK:** When supply is isolated battery output terminals may be live if battery is connected. Isolate mains and battery before servicing. Emergency luminaires require unswitched live connection taken from same phase as switched supply. When unswitched supply is connected status indicator illuminates green, when unswitched supply is disconnected indicator extinguishes and luminaire operates in emergency mode. 24 hour charge period required before undertaking full discharge test. Emergency test sheets provided should be used to record all emergency tests. Batteries should be replaced when 3 hour duration is not met. Excessive switching of permanent live may result in premature battery failure. Battery electrolyte can be harmful to eyes / open wounds, do not puncture, if electrolyte touches skin / eyes flush with water. Do not incinerate batteries.

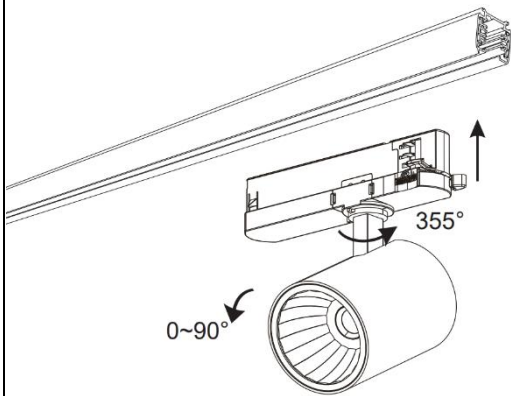


COULIS 80

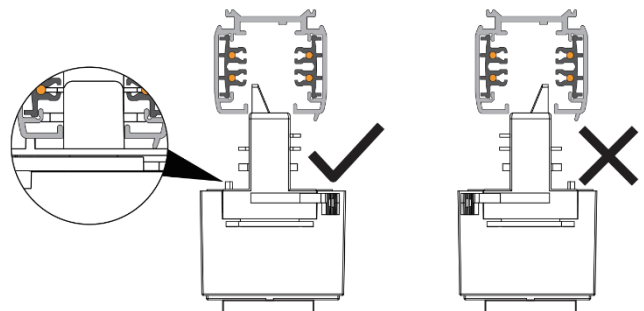


COULIS 90

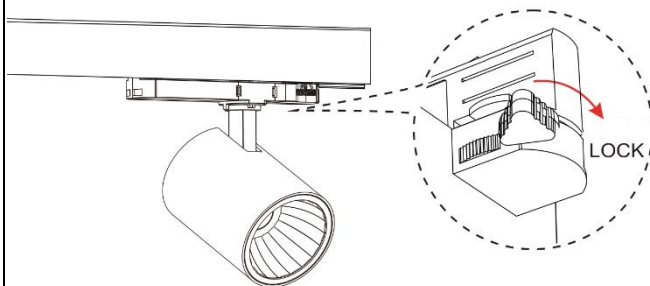
**1. Fit the Coulis in track driver inside the track**



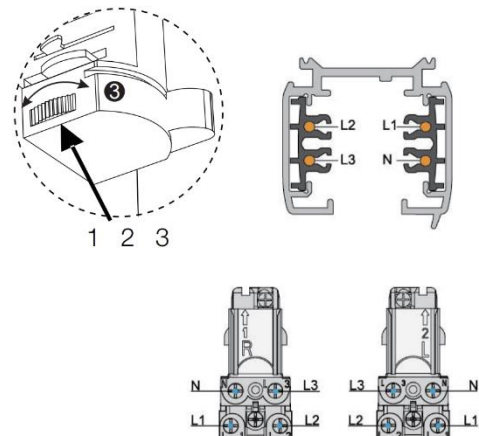
**2. Ensure the notch on the fitting is positioned opposite the notch on the track**



**3. Once installed, rotate the lever to lock it in place.**

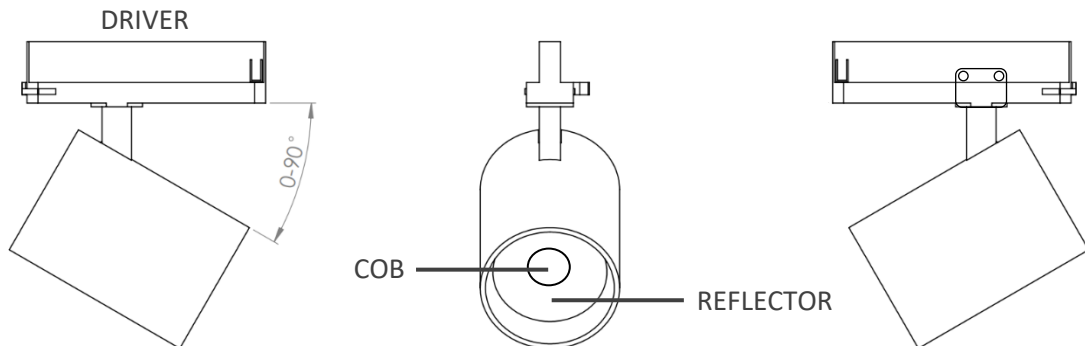


**4. Finally, select the correct phase (1, 2, or 3)**



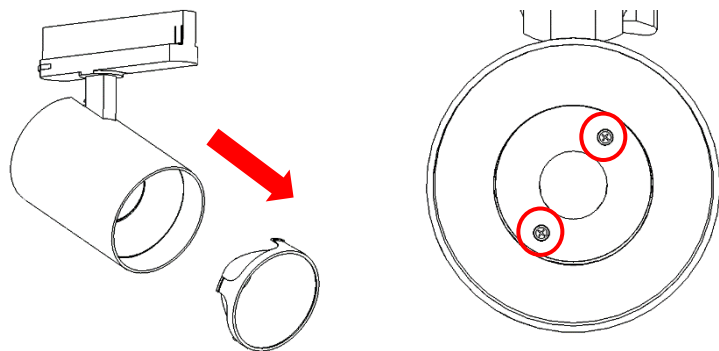
## Maintenance Guide

Disconnect the luminaire before undertaking any maintenance or cleaning.  
 Cleaning should be undertaken on external parts of the luminaire only, using a slightly damp, lint-free cloth.



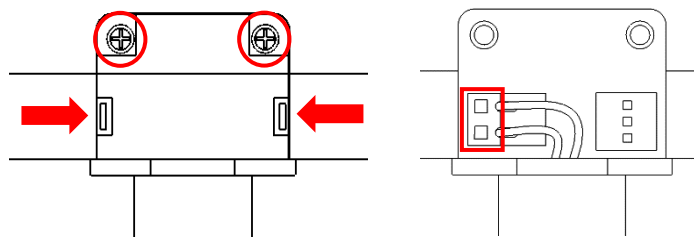
### Cob Access

- Pinch to release the reflector from the Coulis Housing.
- Once removed, the COB can be replaced by loosening two screws and disconnecting the wires.



### Driver Access

- Loosen the two screws (Circled)
- Pinch the tabs to release the cover.
- Remove the cover, then disconnect the wires to replace the driver.



Please contact Dextra for assistance with spare component supply.