



## PRODUCT SPECIFICATION

---

COULIS 70



---

## INTRODUCTION

---

The Coulis 70 is an attractive track mounted spot light that has been developed for clients that require a high quality finish with superb colour rendition. This is the latest addition to our popular Coulis family of track spots and comes as standard with a discreet low profile in-track driver and CRI90 chip on board source. The powder coated die cast aluminium body is coupled with PMMA lens optics to maintain optimum performance. This range is available in either white or black with three beam angles and two lumen outputs.

**UK  
CA** CE IP20

---

## APPLICATION

---

- Accent Lighting
- Display Lighting
- Retail

---

## SPECIFICATION

---

### CONSTRUCTION

- Housing: High pressure die cast aluminium
- Finish: Polyester powder painted RAL 9016 textura matt white
- Finish: Polyester powder painted RAL 9005 textura matt black
- Lens: Injection moulded PMMA lens
- IP20

### PERFORMANCE

- Part L2 compliant
- 3SDCM Three step Macadams ellipse
- TM21: L90>60K Hours / L80>100K Hours
- Up to 89 luminaire lumens per circuit Watt.
- CRI 90+

### ENVIRONMENTAL

- Designed to allow simple replacement of components with commonly available tools in compliance with the Eco Design Directive, please see the installation leaflet for maintenance instructions.
- Powered by European branded drivers and emergency modules ensuring replacement parts are easily sourced.
- Every luminaire is labelled with a unique ID number allowing easy identification of spare parts for the lifetime of the product.
- Designed to allow simple disassembly for end of life recycling.
- UK based manufacturing providing local support throughout the product lifetime and minimising transportation miles.

### EMERGENCY

- Not available with emergency

### INSTALLATION

- Suitable for three circuit track installation

### VARIATIONS

- Available with a wide range of colour temperatures and renderings

- Available in a range of lumen outputs
- Available in white or black finishes

IMAGES

PRODUCT IMAGES





Coulis 70 Black



Coulis 70 Black



Coulis 70 Lens Kit

PROJECT IMAGES



Avalon Guns using the Coulis 70 & AluLED



Avalon Guns using the Coulis 70 & AluLED

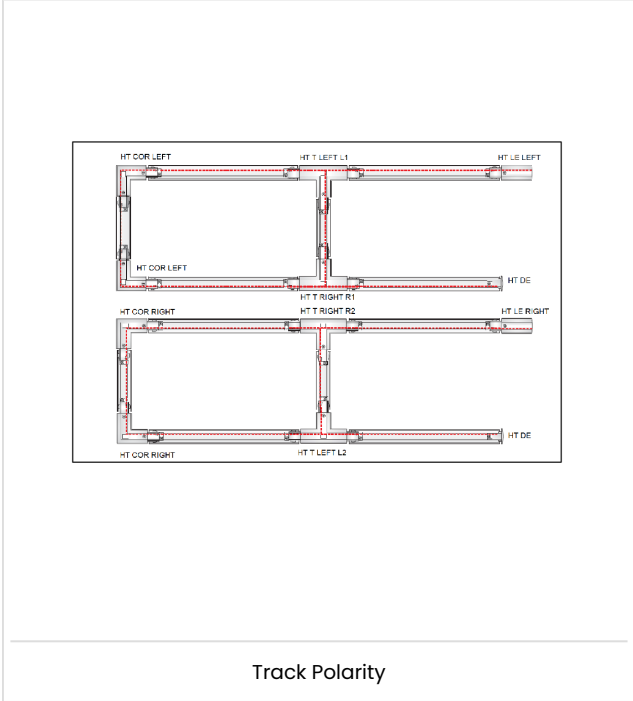
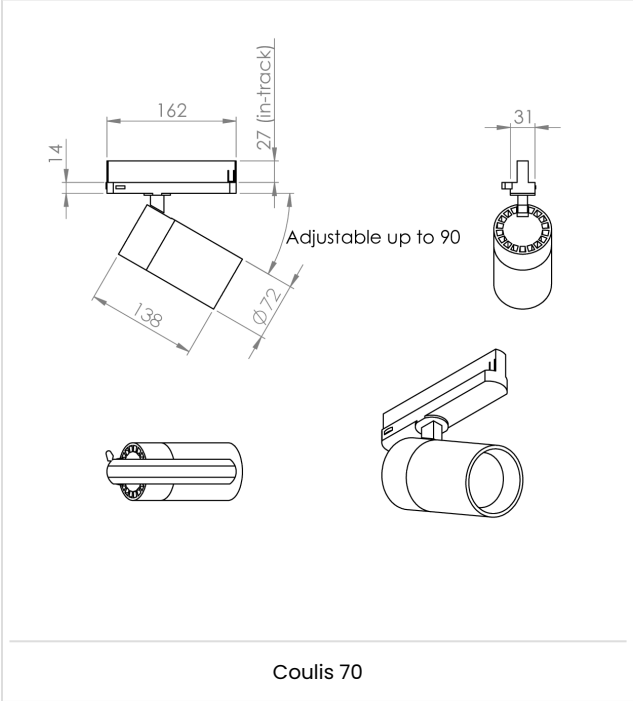


Avalon Guns using the Coulis 70 & AluLED



Avalon Guns using the Coulis 70 & AluLED

TECHNICAL



---

## WARRANTY

---

At Dextra our commitment to service has been at the forefront throughout our history spanning more than forty years in the UK lighting market. Our service ethos extends beyond design and delivery, we believe supporting your installation throughout the warranty period is equally crucial, whilst the strength and longevity of Dextra Group provides peace of mind that our warranty will be supported throughout.

The Dextra range is supplied with a five year warranty commencing from the date of delivery. During the first three years defects will be repaired on site and the warranty will include both parts and labour. For the final two years drivers, emergency modules, wireless modules, sensors and LED circuits will be supplied free of charge to replace defective components, labour and other associated costs are not included.

Certain ranges and components are subject to exemptions:

- ▶ Lithium batteries are provided with a five year warranty. During the first three years defects will be repaired on site and the warranty will include both parts and labour. For the final two years replacement batteries will be supplied free of charge to replace defective components. Five year warranty became effective as of 03/02/25, Lithium emergency luminaires supplied prior to this date are supported with a three year on site warranty only. Labour and other associated costs are not included. Nickel Metal Hydride and Nickel Cadmium batteries are provided with a one year warranty for parts and labour.
- ▶ Emergency luminaires including AME2, EXI LED, EXI3, HBE3, HBE4, OAT2 LED and Twinspace are supplied with a one year warranty for parts and labour. Lithium variants suffixed with the 5YR part code, the Autotest emergency with the LA3 part code and wireless variants with LA3RC or LSTR part codes are supplied with a five year warranty. For these extended warranty variants for the first three years defects will be repaired on site and the warranty will include both parts and labour. For the final two years replacement batteries will be supplied free of charge to replace defective components.
- ▶ Protec Micro, PTECF7 Fire Rated Downlights, Serenus and the Opus Sconce are provided with a five year replacement luminaire only warranty. Protec FR Fire Rated Downlights are provided with a 2 year replacement luminaire only warranty.
- ▶ Controls systems such as standalone sensors, switches, marshalling boxes and cabling are provided with a one year warranty for both parts and labour. DALI control systems are provided with a two year warranty for both parts and labour.
- ▶ LEDextra ranges are supplied with a three year parts or replacement luminaire only warranty with the exception of the IMPR RGBW, the Runway RGBW, the MOD RGBW, Tanek RGBW and the DexRing. These five ranges are supplied with our standard five year warranty during which defects within the first three years will be repaired on site and the warranty includes both parts and labour. For the final two years free of charge replacement components only will be supplied to rectify any failures but labour and other associated costs are not included.
- ▶ LEDEX ranges are supplied with a three year replacement luminaire only warranty.
- ▶ The Decorative Pendant ranges, Bebo, Dene, Nova, Fino and Stix are supplied with a 3 year replacement luminaire only warranty.

All warranties are subject to correct use of the product and will be invalidated by misuse, for example incorrect installation, unsuitable environmental conditions or incorrect maintenance. It is the duty of the customer to ensure that all the fault lies with the luminaire prior to requesting replacement parts or site repairs. In the event that no defect is found with the product our costs for attending site will be recharged to the customer and credit

will not be issued against returned products. No consequential losses incurred resulting from any defect with our product will be reimbursed.

Given the nature of LED technology a small percentage of LEDs may fail during the lifetime of a luminaire, this does not cause a reduction in lumen output. As such LED luminaires are only deemed to be faulty for warranty purposes when in excess of ten percent of LEDs have failed in a single luminaire.

On site repair of products under warranty will be undertaken during normal working hours, 9am to 5pm Monday to Friday, and will require unrestricted access to luminaires. Where required Dextra will provide access equipment to carry out repairs at height, should luminaires have been installed in locations where reasonable provision for maintenance access has not been made we reserve the right to supply replacement product only. On site warranty repairs will only be undertaken on the mainland of the UK and Ireland, in all other locations replacement product only will be provided.

**If you require any assistance with regards to our products please contact our Customer Services department on 01747 858100.**

---

**ORDER CODES**

---

**LUMINAIRE**

| Code                | Description                                 | Power | Llm/W |
|---------------------|---|-------|-------|
| COU70 L20 C93 GB    | Coulis 70, 1,840lIm, White Body, Colour C93 | 20.7W | 88    |
| COU70 L30 C93 GB    | Coulis 70, 2,402lIm, White Body, Colour C93 | 27.7W | 87    |
| COU70 L22 C94 GB    | Coulis 70, 2,047lIm, White Body, Colour C94 | 20.6W | 99    |
| COU70 L32 C94 GB    | Coulis 70, 2,620lIm, White Body, Colour C94 | 27.1W | 97    |
| COU70 L20 C93 BL GB | Coulis 70, 1,840lIm, Black Body, Colour C93 | 20.7W | 88    |
| COU70 L30 C93 BL GB | Coulis 70, 2,402lIm, Black Body, Colour C93 | 27.7W | 87    |
| COU70 L22 C94 BL GB | Coulis 70, 2,047lIm, Black Body, Colour C94 | 20.6W | 99    |
| COU70 L32 C94 BL GB | Coulis 70, 2,620lIm, Black Body, Colour C94 | 27.1W | 97    |

Lumen values based on 60° Lens variants.

**OPTIC**

| Code           | Description        |
|----------------|--------------------|
| COU70 20D LENS | Coulis 70 20° Lens |
| COU70 40D LENS | Coulis 70 40° Lens |
| COU70 60D LENS | Coulis 70 60° Lens |

220-240V / 50-60Hz

**Terminal Labelling:**

**Power**

L1 Switched Live  
E Earth  
N Neutral

**Emergency**

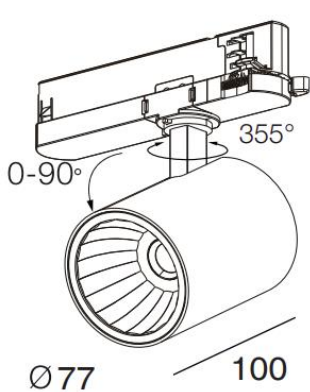
L2 Unswitched Live  
DA/AT3 DALI Autotest  
DA/AT3 DALI Autotest

**Dimming**

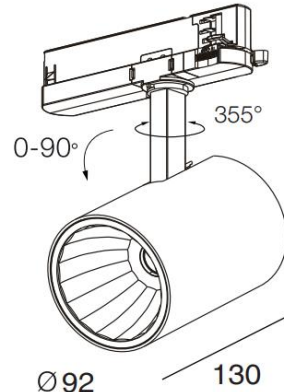
-/D1/DA Analogue/DSI/DALI  
+/D2/DA Analogue/DSI/DALI  
L3 Switch Dim / Corridor Function



**WARNING:** Luminaire must be earthed. Risk of electric shock from LED boards if operated with cover removed. Installation / operation outside of luminaires intended scope invalidates warranty. Suitable only for domestic / light industrial / industrial applications within the scope of EN55015. Tested to compliance with BSEN 60598: specification for general requirements and tests. Must be installed by a suitably qualified person in accordance with all relevant legislation. Ambient operating temperature of 0°C to 25°C. If maximum operating temperature is exceeded luminaire will automatically dim / switch off. Terminal blocks are rated to 16A unless stated otherwise. The light source contained in this luminaire shall only be replaced by the manufacturer or his service agent or a similar qualified person. **LUMINAIRES WITH EMERGENCY PACK:** When supply is isolated battery output terminals may be live if battery is connected. Isolate mains and battery before servicing. Emergency luminaires require unswitched live connection taken from same phase as switched supply. When unswitched supply is connected status indicator illuminates green, when unswitched supply is disconnected indicator extinguishes and luminaire operates in emergency mode. 24 hour charge period required before undertaking full discharge test. Emergency test sheets provided should be used to record all emergency tests. Batteries should be replaced when 3 hour duration is not met. Excessive switching of permanent live may result in premature battery failure. Battery electrolyte can be harmful to eyes / open wounds, do not puncture, if electrolyte touches skin / eyes flush with water. Do not incinerate batteries.

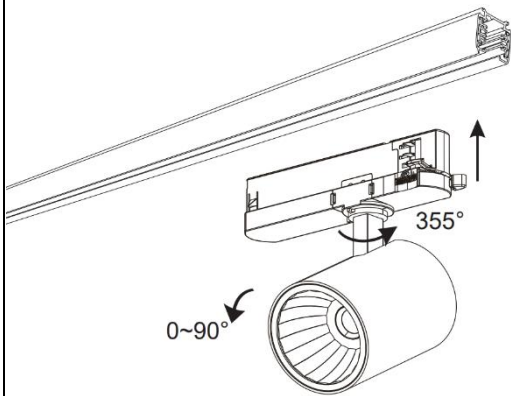


COULIS 80

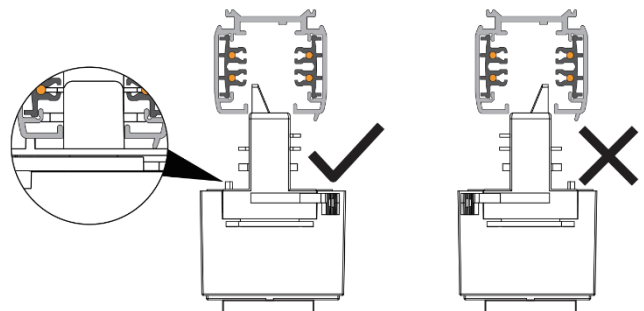


COULIS 90

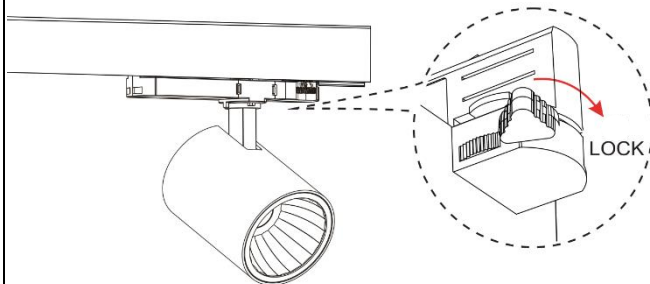
**1. Fit the Coulis in track driver inside the track**



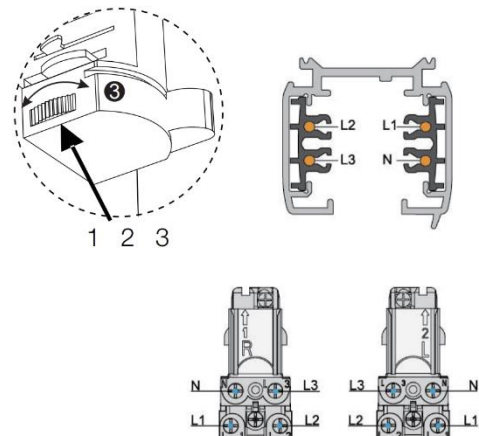
**2. Ensure the notch on the fitting is positioned opposite the notch on the track**



**3. Once installed, rotate the lever to lock it in place.**

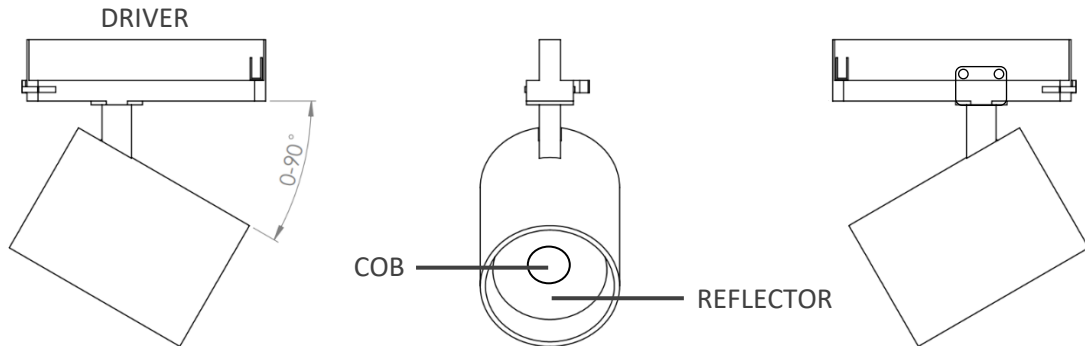


**4. Finally, select the correct phase (1, 2, or 3)**



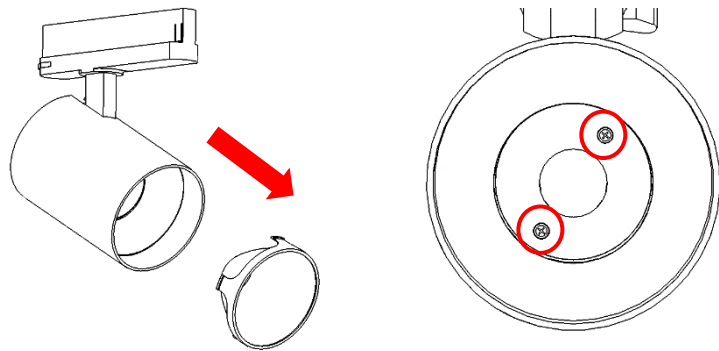
## Maintenance Guide

Disconnect the luminaire before undertaking any maintenance or cleaning.  
 Cleaning should be undertaken on external parts of the luminaire only, using a slightly damp, lint-free cloth.



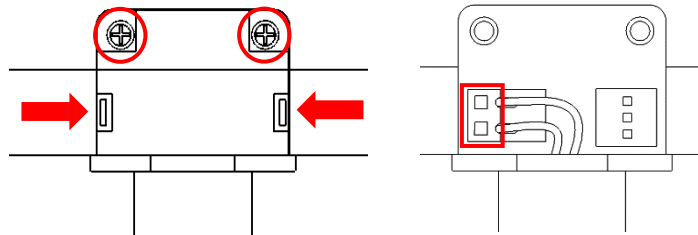
### Cob Access

- Pinch to release the reflector from the Coulis Housing.
- Once removed, the COB can be replaced by loosening two screws and disconnecting the wires.



### Driver Access

- Loosen the two screws (Circled)
- Pinch the tabs to release the cover.
- Remove the cover, then disconnect the wires to replace the driver.



Please contact Dextra for assistance with spare component supply.