



PRODUCT SPECIFICATION

AME



INTRODUCTION

The AME is an LED emergency bulk head emergency luminaire incorporating lithium batteries for extended lifetime. With a white polycarbonate housing and clear polycarbonate diffuser the AME is both IP65 rated to protect from dust and water and able to withstand light impact. The AME is also available with adhesive legends to ensure that it can be used either for general emergency illumination or for emergency signage and is also available in wireless emergency Reacta-Link variants as well as Autotest and central battery versions.

**UK
CA** CE IP65 IK07

APPLICATION

- Commercial / Offices
- Corridor
- Education
- Exterior
- Healthcare / Social Housing
- Hotel / Leisure
- Industrial / Manufacturing
- Parking / Exterior
- Retail
- Stairwell
- Transport
- Warehousing

SPECIFICATION

CONSTRUCTION

- Housing: Injection moulded polycarbonate
- Finish: Matt white
- Diffuser: Injection moulded clear polycarbonate
- ISO 7010 or Euro Norm Legends with all directional arrow options.
- IK07
- IP65

ENVIRONMENTAL

- Every luminaire is labelled with a unique ID number allowing easy identification of spare parts for the lifetime of the product.
- UK based manufacturing providing local support throughout the product lifetime and minimising transportation miles.

EMERGENCY

- Available with optional standard, self test and autotest integral emergency with lithium batteries for extended warranty and lifetime.
- Optional Reacta-Link wireless emergency for automated centralised reporting.
- Optional Reacta-Control wireless emergency for automated centralised reporting.
- Optional central battery changeover relay

CONTROL

- Optional compatibility with a range of dimming systems including DALI, DSI and Switch Dimming

INSTALLATION

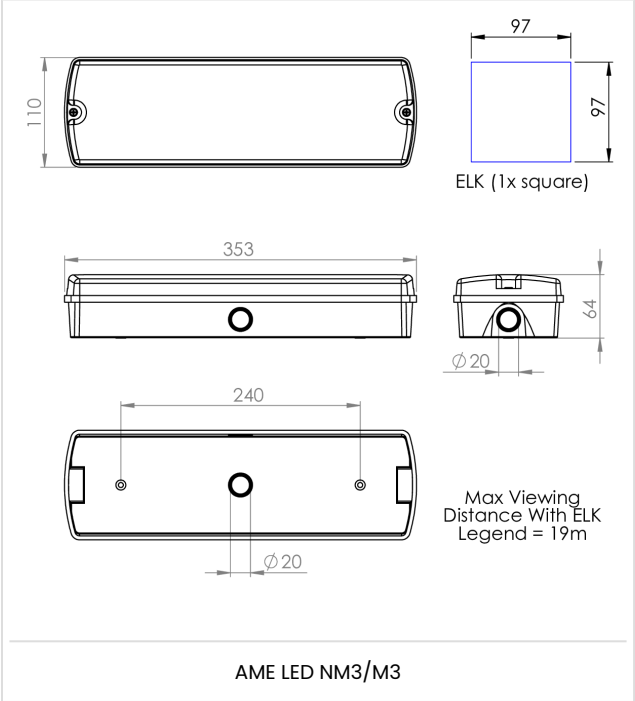
- Suitable for conduit installation
- Suitable for surface installation
- Supplied with rear mounting points and side conduit entry.

IMAGES

PRODUCT IMAGES



TECHNICAL



WARRANTY

At Dextra our commitment to service has been at the forefront throughout our history spanning more than forty years in the UK lighting market. Our service ethos extends beyond design and delivery, we believe supporting your installation throughout the warranty period is equally crucial, whilst the strength and longevity of Dextra Group provides peace of mind that our warranty will be supported throughout.

The Dextra range is supplied with a five year warranty commencing from the date of delivery. During the first three years defects will be repaired on site and the warranty will include both parts and labour. For the final two years drivers, emergency modules, wireless modules, sensors and LED circuits will be supplied free of charge to replace defective components, labour and other associated costs are not included.

Certain ranges and components are subject to exemptions:

- ▶ Lithium batteries are provided with a five year warranty. During the first three years defects will be repaired on site and the warranty will include both parts and labour. For the final two years replacement batteries will be supplied free of charge to replace defective components. Five year warranty became effective as of 03/02/25, Lithium emergency luminaires supplied prior to this date are supported with a three year on site warranty only. Labour and other associated costs are not included. Nickel Metal Hydride and Nickel Cadmium batteries are provided with a one year warranty for parts and labour.
- ▶ Emergency luminaires including AME2, EXI LED, EXI3, HBE3, HBE4, OAT2 LED and Twinspace are supplied with a one year warranty for parts and labour. Lithium variants suffixed with the 5YR part code, the Autotest emergency with the LA3 part code and wireless variants with LA3RC or LSTR part codes are supplied with a five year warranty. For these extended warranty variants for the first three years defects will be repaired on site and the warranty will include both parts and labour. For the final two years replacement batteries will be supplied free of charge to replace defective components.
- ▶ Protec Micro, PTECF7 Fire Rated Downlights, Serenus and the Opus Sconce are provided with a five year replacement luminaire only warranty. Protec FR Fire Rated Downlights are provided with a 2 year replacement luminaire only warranty.
- ▶ Controls systems such as standalone sensors, switches, marshalling boxes and cabling are provided with a one year warranty for both parts and labour. DALI control systems are provided with a two year warranty for both parts and labour.
- ▶ LEDextra ranges are supplied with a three year parts or replacement luminaire only warranty with the exception of the IMPR RGBW, the Runway RGBW, the MOD RGBW, Tanek RGBW and the DexRing. These five ranges are supplied with our standard five year warranty during which defects within the first three years will be repaired on site and the warranty includes both parts and labour. For the final two years free of charge replacement components only will be supplied to rectify any failures but labour and other associated costs are not included.
- ▶ LEDEX ranges are supplied with a three year replacement luminaire only warranty.
- ▶ The Decorative Pendant ranges, Bebo, Dene, Nova, Fino and Stix are supplied with a 3 year replacement luminaire only warranty.

All warranties are subject to correct use of the product and will be invalidated by misuse, for example incorrect installation, unsuitable environmental conditions or incorrect maintenance. It is the duty of the customer to ensure that all the fault lies with the luminaire prior to requesting replacement parts or site repairs. In the event that no defect is found with the product our costs for attending site will be recharged to the customer and credit

will not be issued against returned products. No consequential losses incurred resulting from any defect with our product will be reimbursed.

Given the nature of LED technology a small percentage of LEDs may fail during the lifetime of a luminaire, this does not cause a reduction in lumen output. As such LED luminaires are only deemed to be faulty for warranty purposes when in excess of ten percent of LEDs have failed in a single luminaire.

On site repair of products under warranty will be undertaken during normal working hours, 9am to 5pm Monday to Friday, and will require unrestricted access to luminaires. Where required Dextra will provide access equipment to carry out repairs at height, should luminaires have been installed in locations where reasonable provision for maintenance access has not been made we reserve the right to supply replacement product only. On site warranty repairs will only be undertaken on the mainland of the UK and Ireland, in all other locations replacement product only will be provided.

If you require any assistance with regards to our products please contact our Customer Services department on 01747 858100.

ORDER CODES

LUMINAIRE

Code	Description
AME LED NM3 LE3	Amenity LED, Non Maintained, Lithium Standard Emergency 3 Hour
AME LED M3 LE3	Amenity LED, Maintained, Lithium Standard Emergency 3 Hour
AME LED NM3 LS3	Amenity LED, Non Maintained, Lithium Self Test Emergency 3 Hour
AME LED M3 LS3	Amenity LED, Maintained, Lithium Self Test Emergency 3 Hour
AME LED NM3 LA3	Amenity LED, Non Maintained, Lithium AutoTest Emergency 3 Hour
AME LED M3 LA3	Amenity LED, Maintained, Lithium AutoTest Emergency 3 Hour

All products are supplied with a 5 year battery warranty

EMERGENCY

Code	Description
CB	Central Battery, Please Specify 110V or 230V when Ordering

MISCELLANEOUS

Code	Description
AME ELK	Emergency Legend Kit
AME ELK ISO	Emergency Legend Kit, ISO 7010

220-240V / 50-60Hz

IP65

IK00



Terminal Labelling:

Power	
L1	Switched Live
E	Earth
N	Neutral
Emergency	
L2	Unswitched Live
DA/AT3	DALI Autotest
DA/AT3	DALI Autotest
Dimming	
-/D1/DA	Analogue/DSI/DALI
+/D2/DA	Analogue/DSI/DALI
L3	Switch Dim / Corridor Function

WARNING: Luminaire must be earthed. Risk of electric shock from LED boards if operated with cover removed. Installation / operation outside of luminaires intended scope invalidates warranty. Suitable only for domestic / light industrial / industrial applications within the scope of EN55015. Tested to compliance with BSEN 60598: specification for general requirements and tests. Must be installed by a suitably qualified person in accordance with all relevant legislation. Ambient operating temperature of 0°C to 25°C. If maximum operating temperature is exceeded luminaire will automatically dim / switch off. Terminal blocks are rated to 16A unless stated otherwise. The light source is non replaceable. **LUMINAIRES WITH EMERGENCY PACK:** When supply is isolated battery output terminals may be live if battery is connected. Isolate mains and battery before servicing. Emergency luminaires require unswitched live connection taken from same phase as switched supply. When unswitched supply is connected status indicator illuminates green, when unswitched supply is disconnected indicator extinguishes and luminaire operates in emergency mode. 24 hour charge period required before undertaking full discharge test. Emergency test sheets provided should be used to record all emergency tests. Batteries should be replaced when 3 hour duration is not met. Excessive switching of permanent live may result in premature battery failure. Battery electrolyte can be harmful to eyes / open wounds, do not puncture, if electrolyte touches skin / eyes flush with water. Do not incinerate batteries.

Installation

1. Remove the diffuser from the body by unscrewing the 2No. retaining screws.
2. Release the gear tray by pushing the tabs outwards. Hinge tray away from body.
3. Fix base to wall or ceiling, either direct or via conduit box having drilled the cable entry hole. If IP65 protection is required use an appropriate gland at the cable entry point and ensure mounting points are adequately sealed using grommets and load spreading washers if necessary. Ensure luminaires are mounted to a flat surface to prevent bowing of the housing and that the diffuser is securely fixed forming an IP65 seal at all points.
4. ISOLATE THE A.C. SUPPLY and connect unit.
5. For non-maintained luminaires (NM3) an 'unswitched' 240v A.C. supply must be connected to the 'unswitched live (L), Earth and neutral (N) terminals.
6. For maintained luminaires (M3) a 'switched' live (L1) supply must also be connected as indicated.
7. Refit the gear tray.
8. Refit the diffuser.
9. Power the luminaire and ensure that the green LED indicator lights.
10. Operational check (NM3/ M3) – restore the A.C. Supply for 30mins and then remove.
11. Operational check (ST3) – After a charging period in excess of 24 hours a three hour emergency duration test should be undertaken.

Specification

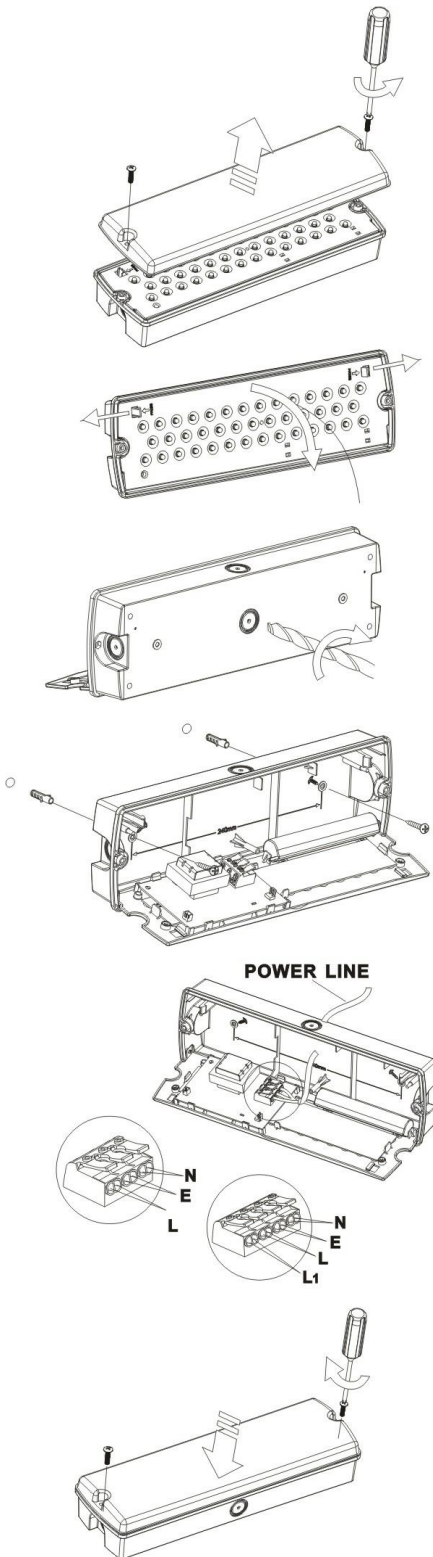
- Operating Temperature Range: 0 to 40°C
- Rated Supply Voltage: 220-240V 50/60Hz
- IP Rating: 65
- Rated Power (NM3): 2W with 0.8 Pfc
- Rated Power (M3): 6.5W with 0.9 Pfc
- Rated Power (ST3): 5.5W
- ST3 Conversion Time: 1 second
- Emergency Lumens (M3 & NM3): 150lm
- Emergency Lumens (ST3 DC): 130lm
- Emergency Lumens (ST3 AC): 200lm
- Emergency Duration: >3 hours
- Battery Recharge Time: 24hrs
- Battery: SC3.6V 1.5Ah NiCd
- Fuse Installed or Replaced (ST3): 1A 250V/ 3.15A 250V

Monitoring/ Indicator LED Status

- Green: Normal operation.
- Red flash once every three seconds; Battery failure.
- Red flash twice every three seconds: LED failure.
- Red flash once a second: 3 hour duration not met.

WARNING

Battery electrolyte can be harmful to eyes and open wounds. Care must be taken to avoid puncturing the case and allowing electrolyte to escape. If electrolyte touches the skin, flush with water. Do not incinerate batteries.



Recommended Routine Test Procedure (Operation and maintenance)

The following test is designed to ensure the continued protection of your premises and occupants. Because of the possibility of a failure of the normal lighting supply occurring shortly after a period of testing, all test should whenever possible be undertaken at times of least risk (e.g. during daylight hours).

- **ONCE A DAY**
Visual inspection of battery charge LED (light emitting diode)
- **ONCE A MONTH**
Each unit should be energised from its battery for 10 minutes to ensure, by simulation of a failure of the normal lighting supply, the emergency mode is functioning correctly.
- **ONCE EVERY THREE MONTHS**
Charge the battery once every three months when not in use to maintain battery capacity.
- **ONCE EACH YEAR**
All units should be placed into emergency mode and checked that the duration provided by the battery meets the specified time period (3 hours).
- Do not cover the luminaire to ensure adequate ventilation.
- Ensure batteries are disposed of in accordance with environmental regulations.
- Batteries are Nickel Cadmium and have a nominal service life of 4 years. Batteries must be replaced with batteries of the same specification by a suitable qualified person. The luminaire must be isolated from the power supply before any maintenance is undertaken.

FAULT FINDING AND CORRECTIVE ACTION

- **MONITORING LED NOT ILLUMINATED**
A.C. Supply not healthy. Battery not connected. Charger failed.
- **UNIT NOT MEETING REQUIRED EMERGENCY PERIOD**
May need cycling. Discharge then recharge for 24hours. Re-test. Battery may need replacing if emergency duration is still not met. Do not incinerate batteries.

Operation of Emergency Test Switch

In AC input:
Press for 1 second :Timing Restart.
Press for 3 seconds :LEDs on, Auto test for 5 minutes.



Routine Test Record

		First Year		Second Year		Third Year		Fourth Year		Fifth Year	
		Signed	Date	Signed	Date	Signed	Date	Signed	Date	Signed	Date
1	Function										
2	Function										
3	Function										
4	Function										
5	Function										
6	Function										
7	Function										
8	Function										
9	Function										
10	Function										
11	Function										
12	Function										

Eventually, you may want to replace this fitting:

When your fitting and or battery pack come to the end of their life or you choose to update or upgrade the fitting by replacing it, please do not dispose of it with your normal household waste, please recycle where facilities exist. When you need to dispose of this fitting, check with your retailer or local authority for suitable options. New regulations will encourage the recycling of waste from Electrical and Electronic Equipment (European "WEEE Directive" effective August 2005).

