

## Protec Installation

220-240V / 50-60Hz  
IP20 / IP44 / IP65

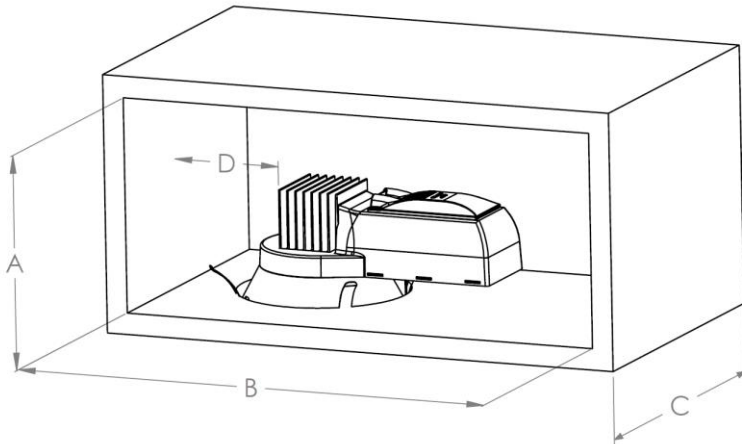


**WARNING:** Luminaire must be earthed. Risk of electric shock from LED boards if operated with cover removed. Installation / operation outside of luminaires intended scope invalidates warranty. Suitable only for domestic / light industrial / industrial applications within the scope of EN55015. Tested to compliance with BSEN 60598: specification for general requirements and tests. Must be installed by a suitably qualified person in accordance with all relevant legislation. Ambient operating temperature of 0°C to 25°C. If maximum operating temperature is exceeded luminaire will automatically dim / switch off. Terminal blocks are rated to 16A unless stated otherwise. The light source contained in this luminaire shall only be replaced by the manufacturer or his service agent or a similar qualified person.

**LUMINAIRES WITH EMERGENCY PACK:** When supply is isolated battery output terminals may be live if battery is connected. Isolate mains and battery before servicing. Emergency luminaires require unswitched live connection taken from same phase as switched supply. When unswitched supply is connected status indicator illuminates green, when unswitched supply is disconnected indicator extinguishes and luminaire operates in emergency mode. 24 hour charge period required before undertaking full discharge test. Emergency test sheets provided should be used to record all emergency tests. Batteries should be replaced when 3 hour duration is not met. Excessive switching of permanent live may result in premature battery failure. Battery electrolyte can be harmful to eyes / open wounds, do not puncture, if electrolyte touches skin / eyes flush with water. Do not incinerate batteries.

### Terminal Labelling:

<b>Power</b>	
L1	Switched Live
E	Earth
N	Neutral
<b>Emergency</b>	
L2	Unswitched Live
DA/AT3	DALI Autotest
DA/AT3	DALI Autotest
<b>Dimming</b>	
-D1/DA	Analogue/DSI/DALI
+D2/DA	Analogue/DSI/DALI
L3	Switch Dim / Corridor Function



Non-Emergency

Minimum Void Dimensions (mm)

A = 260

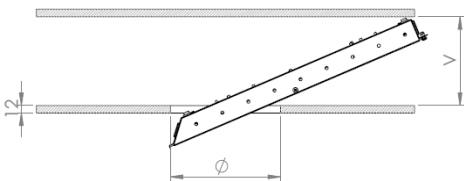
B = 600

C = 270

D = 120

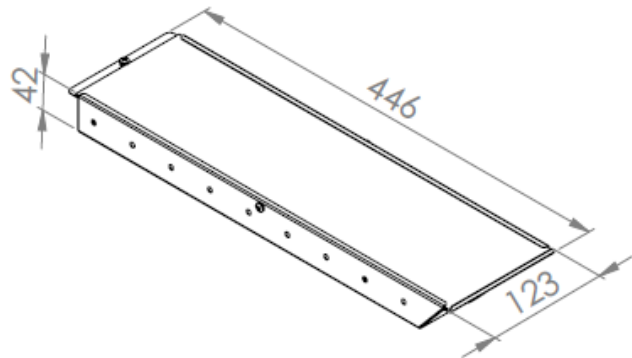
Ambient Temperature in the

### Emergency Remote Box



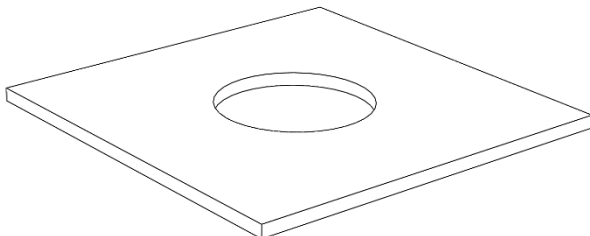
Ø (Hole diameter)	V (minimum void depth)
135 Ø	275mm
145 Ø	230mm
160 Ø	175mm
175 Ø	140mm
190 Ø	125mm
205 Ø	110mm

Note: void depths are based on a 12mm thick tile



1.

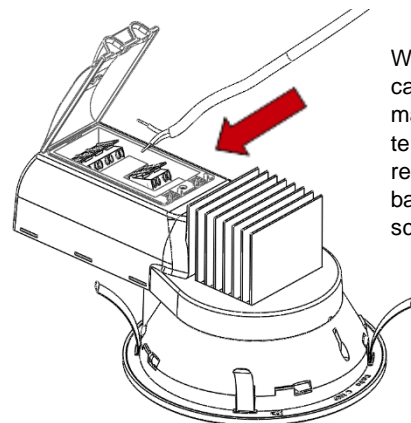
Hole aperture 160mm (Dia)



Use 3mm ply-wood patress when mounting to soft tile or ceiling depth less than 7mm.

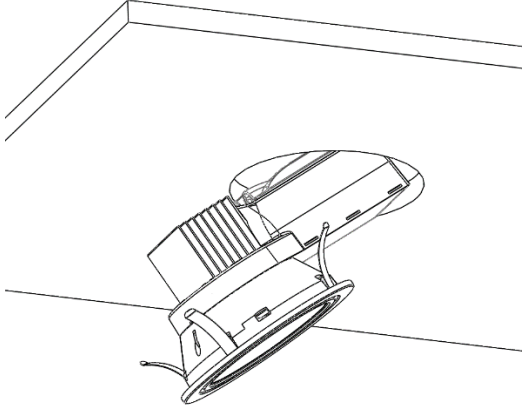
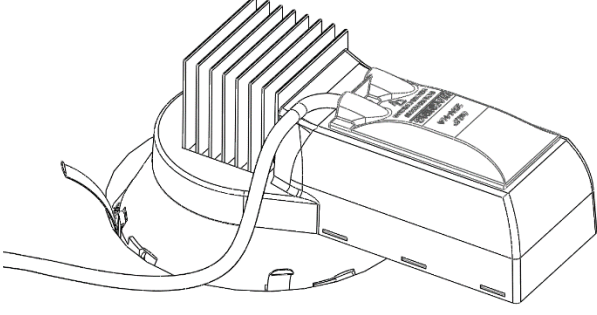
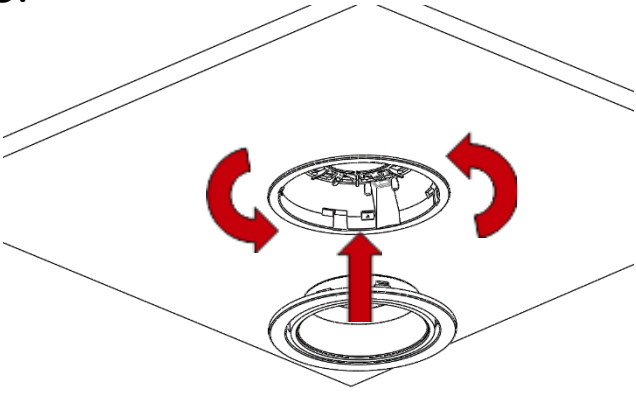
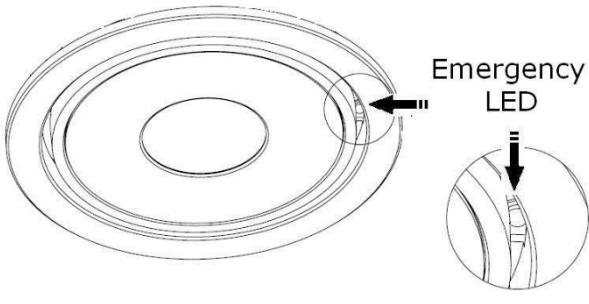
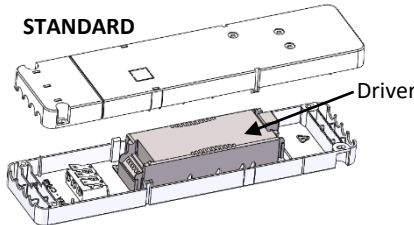
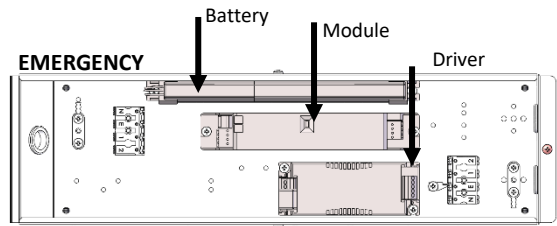
Ceiling depth:  
Max. - 42mm  
Min. - 7mm

2.



Wire mains cable into marked terminals as required. Close backflap and screw shut.

## Protec Installation

<p>3.</p> 	<p>4.</p> 
<p>5.</p> 	<p>6.</p> 
<p>7.</p>	<p>8.</p>
<p><b>Maintenance</b></p> <ol style="list-style-type: none"> <li>1 Disconnect luminaire before undertaking any maintenance or cleaning.</li> <li>2 Cleaning should be undertaken on external parts of the luminaire only using a slightly damp lint free cloth.</li> <li>3 Please note that LED circuits are non-serviceable, replace fitting if needed.</li> <li>4 To access gear box and remove components use a pan pozi screw driver. For emergency remote box remove screw and slide cover out.</li> <li>5 Please contact Dextra for assistance with spare component supply.</li> </ol> <div style="display: flex; justify-content: space-around; align-items: flex-start;"> <div style="text-align: center;"> <p><b>STANDARD</b></p>  </div> <div style="text-align: center;"> <p><b>EMERGENCY</b></p>  </div> </div>	