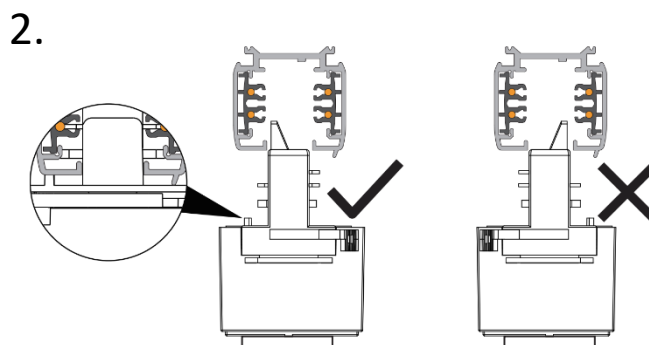
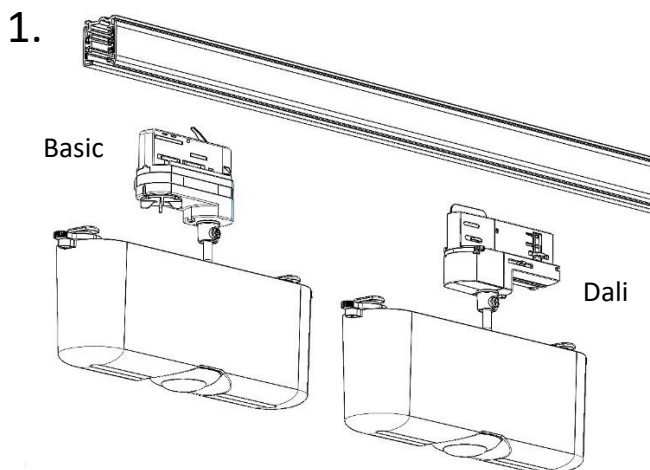


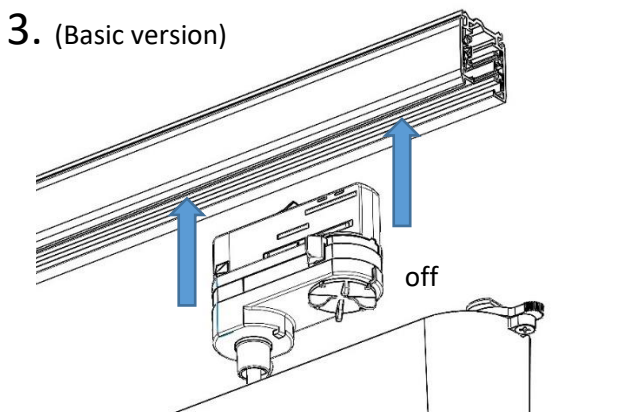
EXI Track 2 - Installation Guide

220-240V / 50-60Hz
IP20

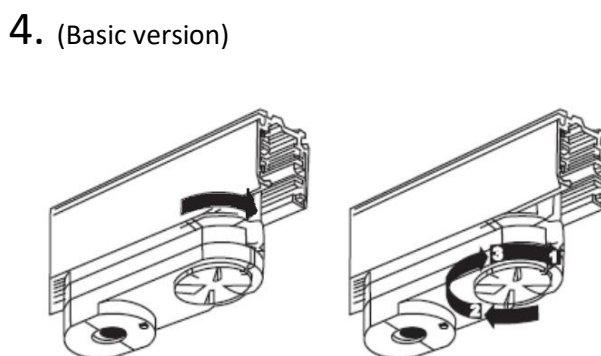
WARNING: Luminaire must be earthed. Risk of electric shock from LED boards if operated with cover removed. Installation / operation outside of luminaires intended scope invalidates warranty. Suitable only for domestic / light industrial / industrial applications within the scope of EN55015. Tested to compliance with BSEN 60598: specification for general requirements and tests. Must be installed by a suitably qualified person in accordance with all relevant legislation. Ambient operating temperature of 0°C to 25°C. If maximum operating temperature is exceeded luminaire will automatically dim / switch off. Terminal blocks are rated to 16A unless stated otherwise. The light source contained in this luminaire shall only be replaced by the manufacturer or his service agent or a similar qualified person. **LUMINAIRES WITH EMERGENCY PACK:** When supply is isolated battery output terminals may be live if battery is connected. Isolate mains and battery before servicing. Emergency luminaires require unswitched live connection taken from same phase as switched supply. When unswitched supply is connected status indicator illuminates green, when unswitched supply is disconnected indicator extinguishes and luminaire operates in emergency mode. 24 hour charge period required before undertaking full discharge test. Emergency test sheets provided should be used to record all emergency tests. Batteries should be replaced when 3 hour duration is not met. Excessive switching of permanent live may result in premature battery failure. Battery electrolyte can be harmful to eyes / open wounds, do not puncture, if electrolyte touches skin / eyes flush with water. Do not incinerate batteries.



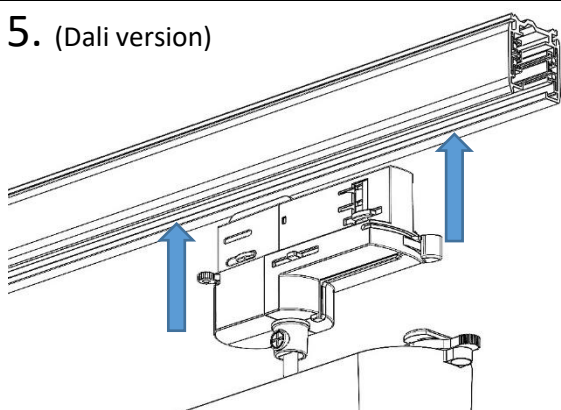
Ensure the rib on the adapter is positioned opposite the rib along the track



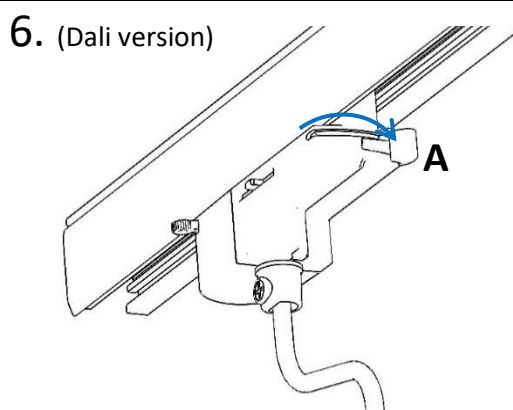
Ensure the circuit selector dial is in the OFF position and the locking lever is to the side: push into track.



Turn the lever until it locks with the track. Turn the dial to select the permanent live circuit.



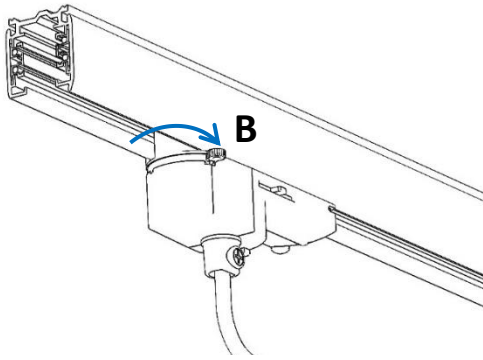
Push the adapter into the track.



Once engaged fully into the track, rotate lever (A) fully to lock adapter in place.

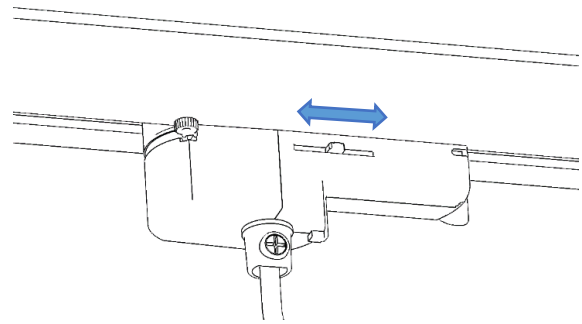
EXI Track 2 - Installation Guide

7. (Dali version)



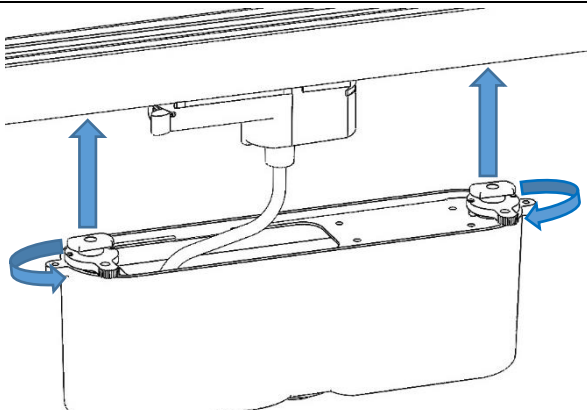
Rotate lever (B) to engage DALI conductors

8. (Dali version)



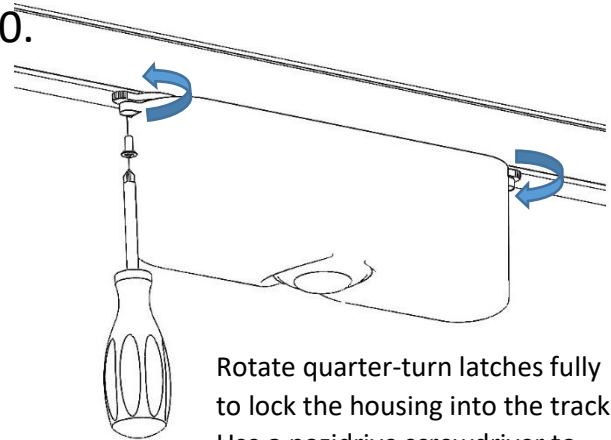
Select the correct circuit (1, 2, or 3) for permanent live.

9.



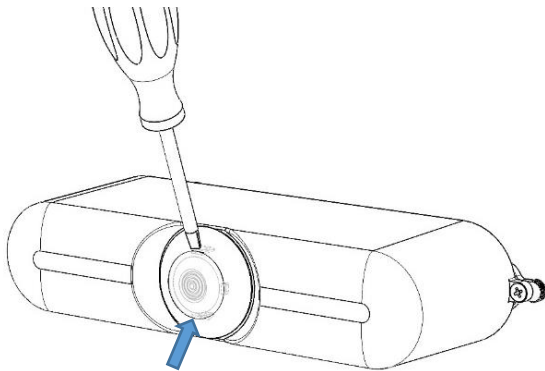
Align the quarter-turn toggles with the track and locate the housing over the adaptor.

10.



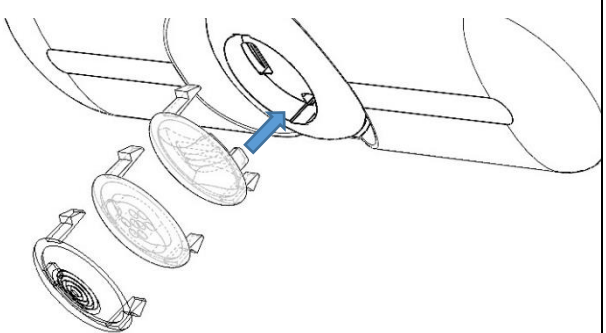
Rotate quarter-turn latches fully to lock the housing into the track. Use a pozidrive screwdriver to engage locking screws.

11



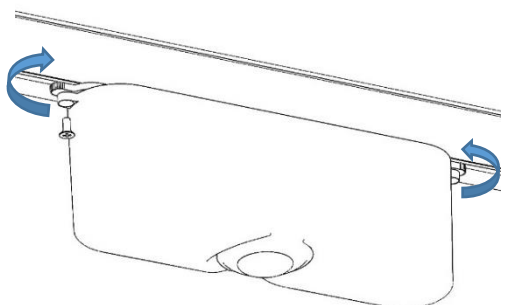
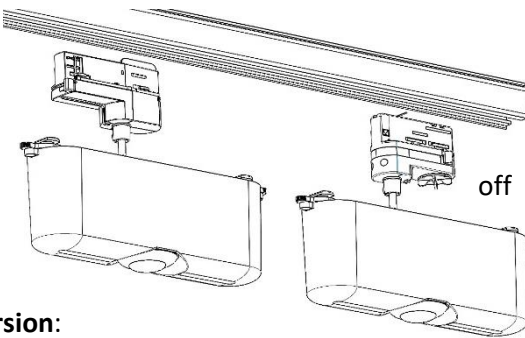
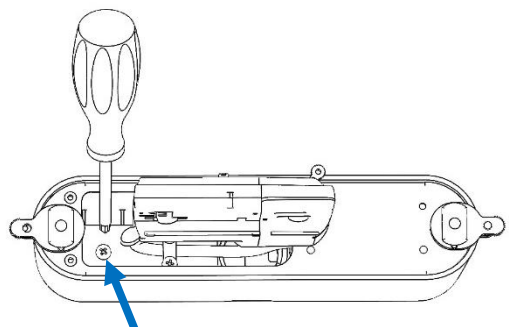
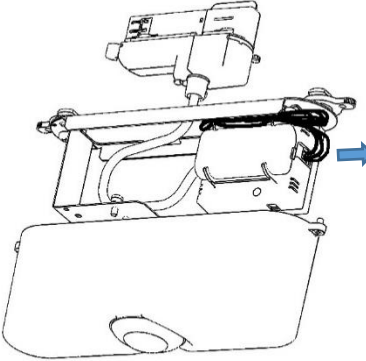
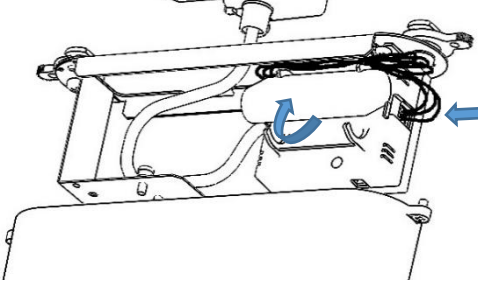
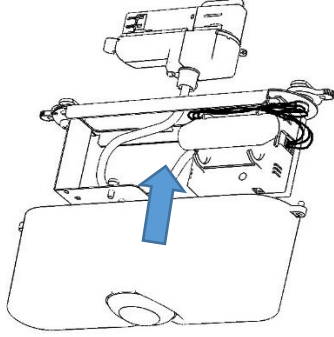
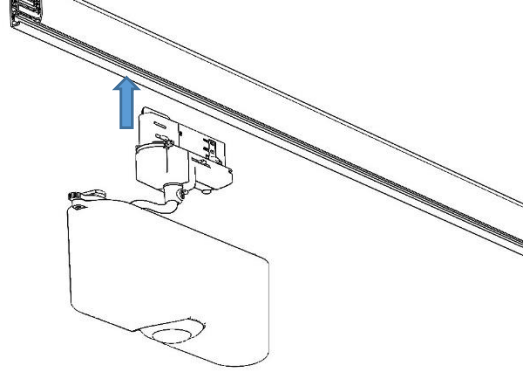
Removing Lens: Insert a flat terminal driver into slots on both sides of the lens to release the barbed clips.

12.

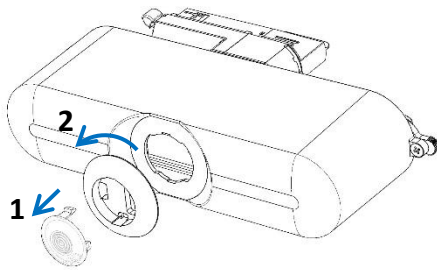


Replacing Lens: select the lens with the desired distribution and snap into place. Ensure Escape route luminaires are aligned along the route.

EXI Track 2 - Installation Guide

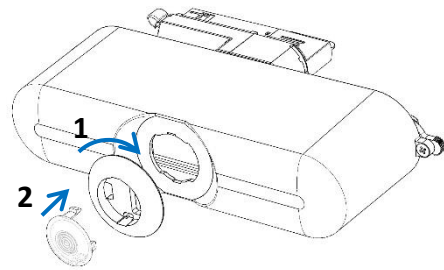
<p>13. Battery Replacement:</p>  <p>Loosen screws to free the quarter turn latches, rotate to release housing from track.</p>	<p>14.</p>  <p>Dali version: Release both levers to remove adapter.</p> <p>Basic version: Turn dial to OFF and release lever to remove adapter.</p>
<p>15.</p>  <p>Loosen M4 screw (arrowed) to release the gear tray from the housing.</p>	<p>16.</p>  <p>Unplug battery connector cable from electronics housing.</p>
<p>17.</p>  <p>Unclip used battery and insert replacement. Batteries must be replaced with identical make and model. Connect battery plug and loop excess cable as shown.</p>	<p>18.</p>  <p>Locate gear tray into housing and tighten M4 screw, ensuring no cables are trapped.</p>
<p>19.</p>  <p>Re-fit to the track as per stages 1-8 above.</p>	<p>20. General Maintenance</p> <p>Isolate power supply before handling fitting.</p> <p>General cleaning:</p> <p>Wipe external surfaces only with damp cloth.</p> <p>Battery Replacement:</p> <p>Battery must be replaced with identical make and model. Remove fitting from track to replace.</p>

21. LED module removal



If the LED module fails **remove luminaire from track**. Detach lens (see stage 9) first, then twist module $\frac{1}{4}$ turn anti-clockwise to release from housing.

22. Replacing LED module



Unplug failed module from cable and plug in replacement module – twist $\frac{1}{4}$ turn clockwise to install into housing. Snap in lens.