

Linear Retrofit Installation

220-240V / 50-60Hz
IP20 IK00

Terminal Labelling:

Power

L1 Switched Live
E Earth
N Neutral

Emergency

L2 Unswitched Live
DA/AT3 DALI Autotest
DA/AT3 DALI Autotest

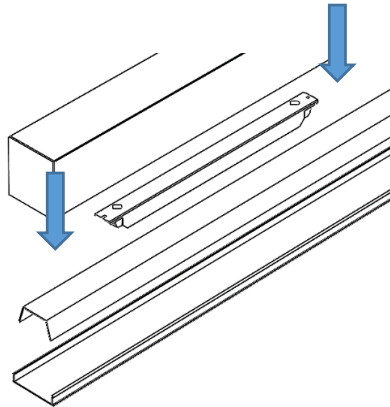
Dimming

-/D1/DA Analogue/DSI/DALI
+/D2/DA Analogue/DSI/DALI
L3 Switch Dim / Corridor Funct



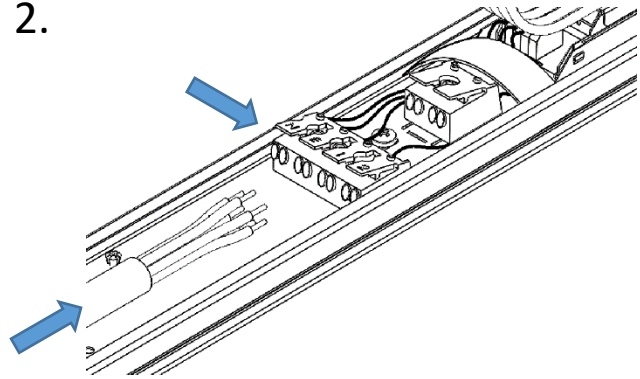
WARNING: Luminaire must be earthed. Risk of electric shock from LED boards if operated with cover removed. Installation / operation outside of luminaires intended scope invalidates warranty. Suitable only for domestic / light industrial / industrial applications within the scope of EN55015. Tested to compliance with BSEN 60598: specification for general requirements and tests. Must be installed by a suitably qualified person in accordance with all relevant legislation. Ambient operating temperature of 0°C to 25°C. If maximum operating temperature is exceeded luminaire will automatically dim / switch off. Terminal blocks are rated to 16A unless stated otherwise. The light source contained in this luminaire shall only be replaced by the manufacturer or his service agent or a similar qualified person. **LUMINAIRES WITH EMERGENCY PACK:** When supply is isolated battery output terminals may be live if battery is connected. Isolate mains and battery before servicing. Emergency luminaires require unswitched live connection taken from same phase as switched supply. When unswitched supply is connected status indicator illuminates green, when unswitched supply is disconnected indicator extinguishes and luminaire operates in emergency mode. 24 hour charge period required before undertaking full discharge test. Emergency test sheets provided should be used to record all emergency tests. Batteries should be replaced when 3 hour duration is not met. Excessive switching of permanent live may result in premature battery failure. Battery electrolyte can be harmful to eyes / open wounds, do not puncture, if electrolyte touches skin / eyes flush with water. Do not incinerate batteries.

1.



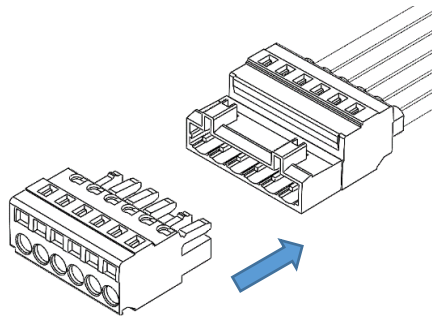
Remove and retain the existing diffuser. Disconnect all wiring and responsibly dispose of the old tray.

2.



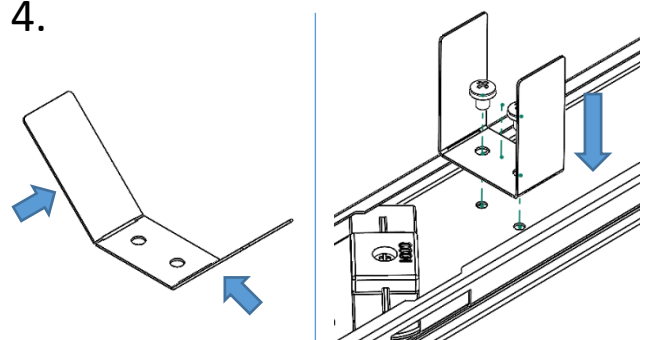
ST TRAY ONLY: For the first tray of the run, wire in and establish a connection to the fixed piano key terminal block.

3.



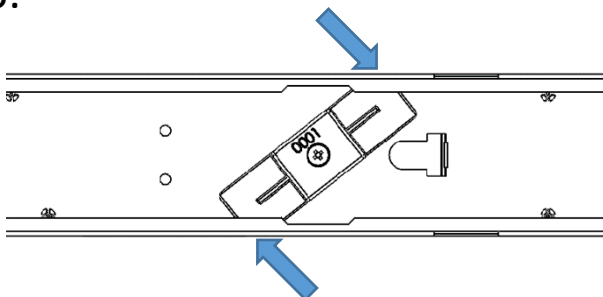
ST TRAY ONLY: Use the 0620 INSTALL KIT to terminate the loom connector on the starter tray.

4.



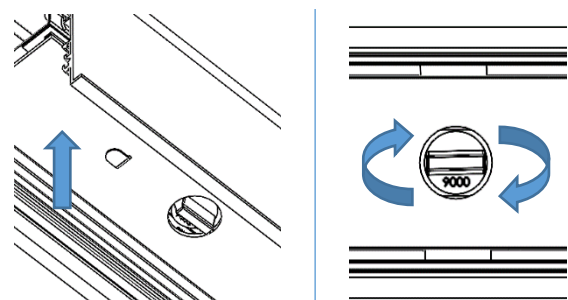
LTS/CL TRAY ONLY: Fold and install the stand-off bracket. Bracket/screws will be packed separately. Two brackets per tray - where supplied.

5.



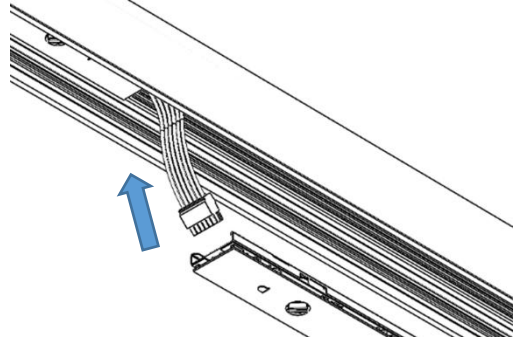
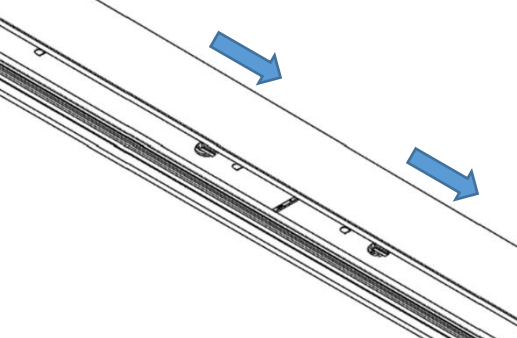
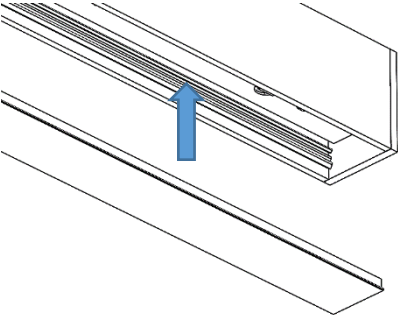
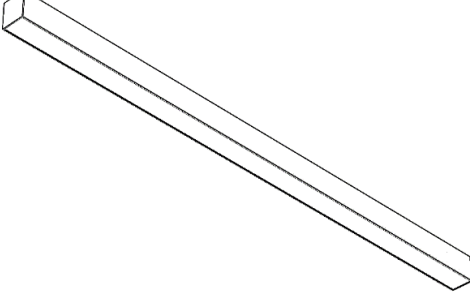
Ensure the quarter turns are rotated and not protruding over the edge of the tray.

6.



Lift the tray up and push into the trunking until it comes to a stop. Rotate the quarter turns clockwise to lock in place.

Linear Retrofit Installation

<p>7.</p>  <p>Offer the next tray up and connect to the previous one.</p>	<p>8.</p>  <p>Repeat the previous steps for subsequent trays.</p>
<p>9.</p>  <p>Refit the existing diffuser / fit new if supplied.</p>	<p>10.</p>  <p>Installation complete.</p>