

220-240V / 50-60Hz  
IP20

**Terminal Labelling:**

**Power**

L1 Switched Live  
E Earth  
N Neutral

**Emergency**

L2 Unswitched Live  
DA/AT3 DALI Autotest  
DA/AT3 DALI Autotest

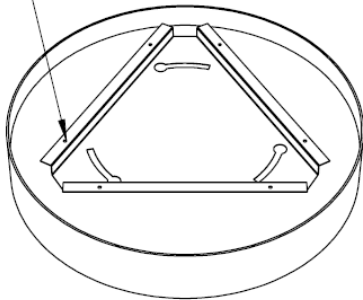
**Dimming**

-/D1/DA Analogue/DSI/DALI  
+/D2/DA Analogue/DSI/DALI  
L3 Switch Dim / Corridor Funct



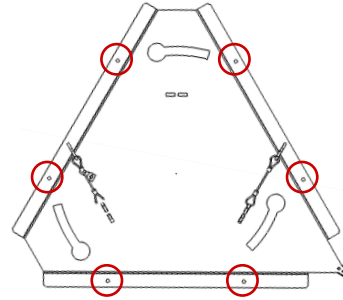
**WARNING:** Luminaire must be earthed. Risk of electric shock from LED boards if operated with cover removed. Installation / operation outside of luminaires intended scope invalidates warranty. Suitable only for domestic / light industrial / industrial applications within the scope of EN55015. Tested to compliance with BSEN 60598: specification for general requirements and tests. Must be installed by a suitably qualified person in accordance with all relevant legislation. Ambient operating temperature of 0°C to 25°C. If maximum operating temperature is exceeded luminaire will automatically dim / switch off. Terminal blocks are rated to 16A unless stated otherwise. The light source contained in this luminaire shall only be replaced by the manufacturer or his service agent or a similar qualified person. **LUMINAIRES WITH EMERGENCY PACK:** When supply is isolated battery output terminals may be live if battery is connected. Isolate mains and battery before servicing. Emergency luminaires require unswitched live connection taken from same phase as switched supply. When unswitched supply is connected status indicator illuminates green, when unswitched supply is disconnected indicator extinguishes and luminaire operates in emergency mode. 24 hour charge period required before undertaking full discharge test. Emergency test sheets provided should be used to record all emergency tests. Batteries should be replaced when 3 hour duration is not met. Excessive switching of permanent live may result in premature battery failure. Battery electrolyte can be harmful to eyes / open wounds, do not puncture, if electrolyte touches skin / eyes flush with water. Do not incinerate batteries.

X6 4.5MM SCREW HOLES



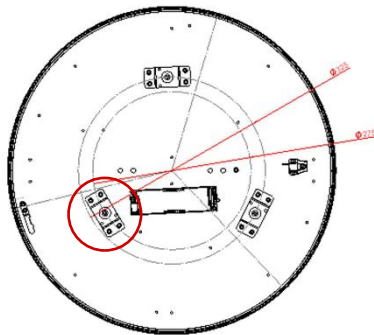
FLEX NOT SUPPLIED

1.



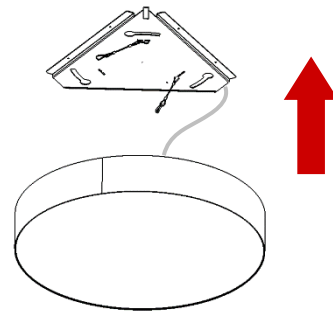
Fix the mounting plate to the ceiling using the 4.5mm fixing holes. Ensure safety tethers are fitted and earth leads connected before continuing.

2.



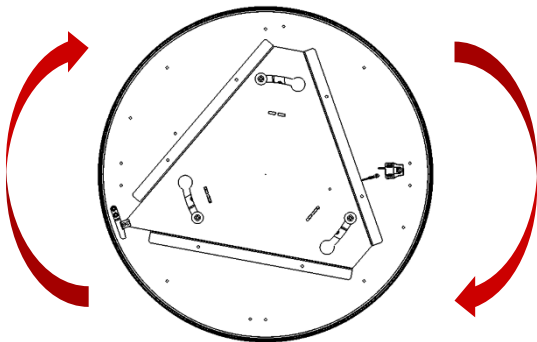
One of the mounting brackets on the top of the fitting is offset from the others, so the luminaire can only be fitted in the correct orientation.

3.



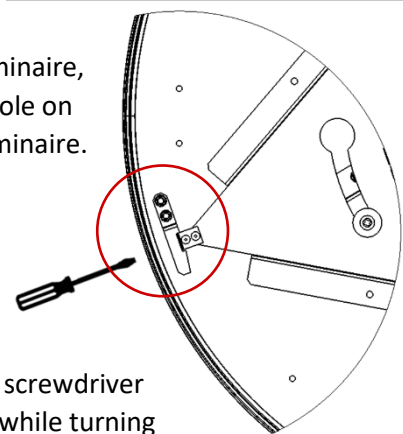
Align the luminaire to the ceiling bracket, ensuring the safety cords and earth lead are connected. Then wire in the flex, using the strain relief to secure.

4.



Once the bracket is in place, twist the luminaire clockwise to lock in place. *Note - there will be some resistance before the luminaire clicks in place.*

To release the luminaire, locate the small hole on the side of the luminaire.



Then push a small screwdriver through the hole, while turning anticlockwise, to release the spring clip.

## Maintenance Guide

1. Disconnect the luminaire before undertaking any maintenance or cleaning.
2. Cleaning should be undertaken on external parts of the luminaire only, using a slightly damp, lint-free cloth.
3. Remove the front diffuser to access the LED circuit and remove the rear tray to access the driver and terminals.

