

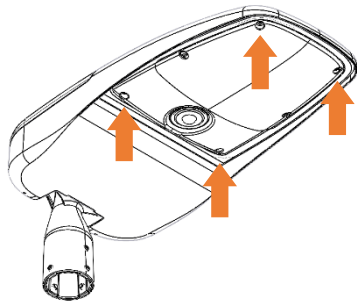
220-240V / 50-60Hz



Terminal Labelling:	
Power	
L / 1	Switched Live
E / ⊕	Earth
N	Neutral
Emergency	
L2 / 2	Unswitched Live
DA/AT3	DALI Autotest
DA/AT3	DALI Autotest
Dimming	
-/D1/DA	Analogue/DSI/DALI
+/D2/DA	Analogue/DSI/DALI
SD	Switch Dim / Corridor Function

WARNING: Luminaire must be earthed. Risk of electric shock from LED boards if operated with cover removed. Installation / operation outside of luminaires intended scope invalidates warranty. Suitable only for domestic / light industrial / industrial applications within the scope of EN55015. Tested to compliance with BSEN 60598: specification for general requirements and tests. Must be installed by a suitably qualified person in accordance with all relevant legislation. Ambient operating temperature of 0°C to 25°C. If maximum operating temperature is exceeded luminaire will automatically dim / switch off. Terminal blocks are rated to 16A unless stated otherwise. The light source is non replaceable. **LUMINAIRES WITH EMERGENCY PACK:** When supply is isolated battery output terminals may be live if battery is connected. Isolate mains and battery before servicing. Emergency luminaires require unswitched live connection taken from same phase as switched supply. When unswitched supply is connected status indicator illuminates green, when unswitched supply is disconnected indicator extinguishes and luminaire operates in emergency mode. 24 hour charge period required before undertaking full discharge test. Emergency test sheets provided should be used to record all emergency tests. Batteries should be replaced when 3 hour duration is not met. Excessive switching of permanent live may result in premature battery failure. Battery electrolyte can be harmful to eyes / open wounds, do not puncture, if electrolyte touches skin / eyes flush with water. Do not incinerate batteries.

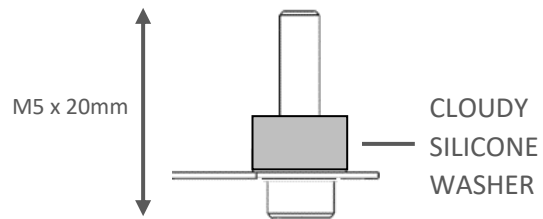
1.



Remove outer X4 screws

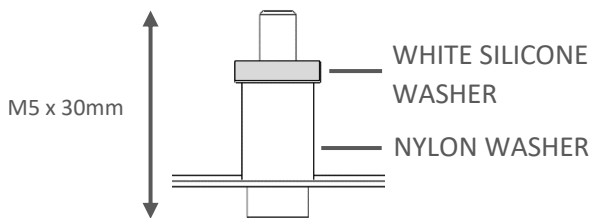
2.

GLASS DIFFUSER



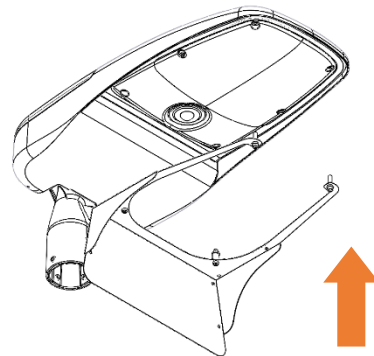
Fit the screws and washers in correct orientation

PLASTIC DIFFUSER

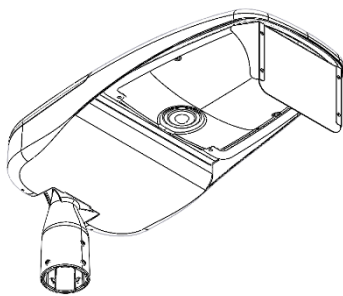


Fit the screws and washers in correct orientation

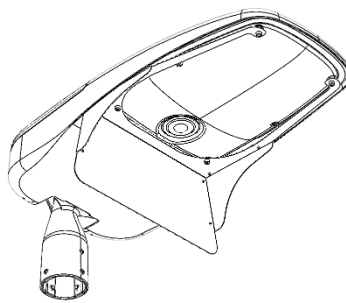
3.



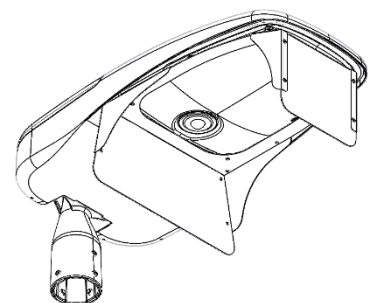
Offer Baffle up to the Luminaire and screw into place



FRONT BAFFLE INSTALLED



BACK BAFFLE INSTALLED



COMBINATION BAFFLE INSTALLED

Opus Column Baffle Installation Guide

	SMALL			MEDIUM			XL		
	FRONT	BACK	COMB	FRONT	BACK	COMB	FRONT	BACK	COMB
TOTAL WEIGHT	2.9KG	3.0KG	3.2KG	6.1KG	6.2KG	6.8KG	9.4KG	9.6KG	9.9KG
CROSS SECTIONAL AREA (CM^2)	376.9	382.6	404.5	512.7	534.0	563.0	681.4	684.7	704.5