

MOD Surface Installation

220-240V / 50-60Hz
IP20

Terminal Labelling:

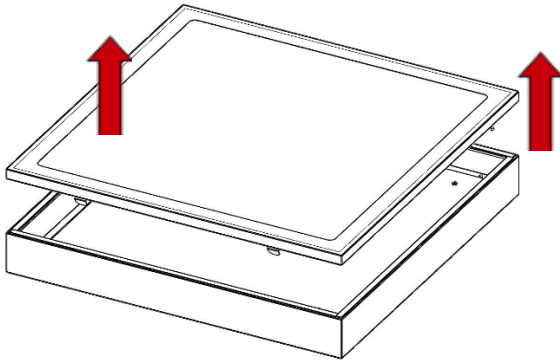
Power	
L / 1	Switched Live
E / ⊕	Earth
N	Neutral
Emergency	
L2 / 2	Unswitched Live
DA/AT3	DALI Autotest
DA/AT3	DALI Autotest
Dimming	
-/D1/DA	Analogue/DSI/DALI
+/D2/DA	Analogue/DSI/DALI
SD	Switch Dim / Corridor Function



WARNING: Luminaire must be earthed. Risk of electric shock from LED boards if operated with cover removed. Installation / operation outside of luminaires intended scope invalidates warranty. Suitable only for domestic / light industrial / industrial applications within the scope of EN55015. Tested to compliance with BSEN 60598: specification for general requirements and tests. Must be installed by a suitably qualified person in accordance with all relevant legislation. Ambient operating temperature of 0°C to 25°C. If maximum operating temperature is exceeded luminaire will automatically dim / switch off. Terminal blocks are rated to 16A unless stated otherwise. The light source contained in this luminaire shall only be replaced by the manufacturer or his service agent or a similar qualified person.

LUMINAIRES WITH EMERGENCY PACK: When supply is isolated battery output terminals may be live if battery is connected. Isolate mains and battery before servicing. Emergency luminaires require unswitched live connection taken from same phase as switched supply. When unswitched supply is connected status indicator illuminates green, when unswitched supply is disconnected indicator extinguishes and luminaire operates in emergency mode. 24 hour charge period required before undertaking full discharge test. Emergency test sheets provided should be used to record all emergency tests. Batteries should be replaced when 3 hour duration is not met. Excessive switching of permanent live may result in premature battery failure. Battery electrolyte can be harmful to eyes / open wounds, do not puncture, if electrolyte touches skin / eyes flush with water. Do not incinerate batteries.

1.

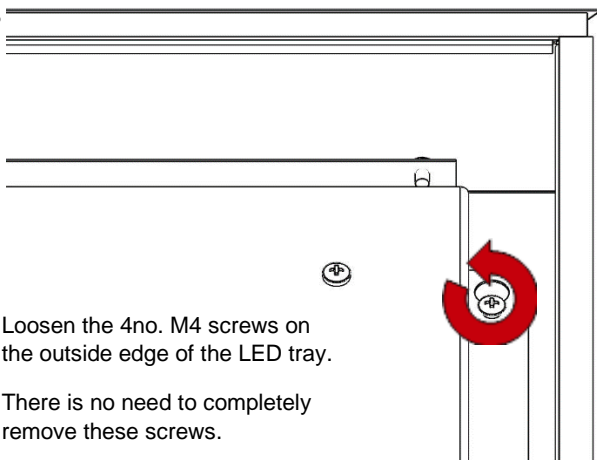


Unpack luminaire and carefully remove the frame from the main body. There are 4no. leaf springs attached to the frame.

2.

The luminaire is packed with the frame springs engaged in the main body. The frame has x2 tethers inside that are not attached to the tray for ease of initial installation. These will be connected later on.

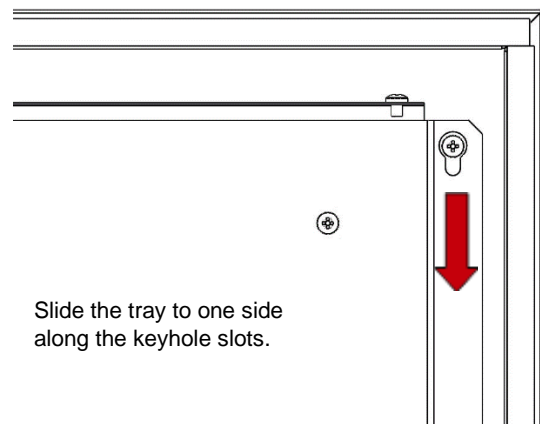
3.



Loosen the 4no. M4 screws on the outside edge of the LED tray.

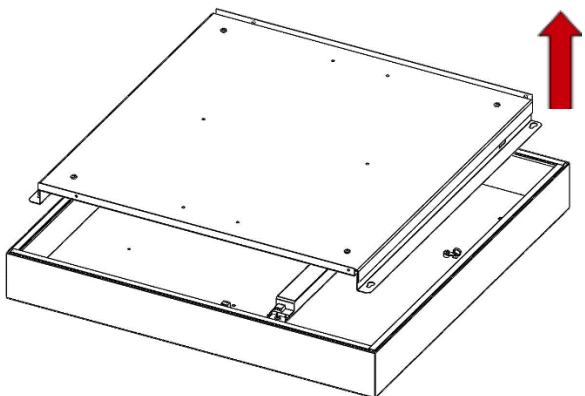
There is no need to completely remove these screws.

4.



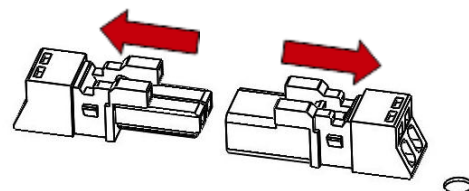
Slide the tray to one side along the keyhole slots.

5.



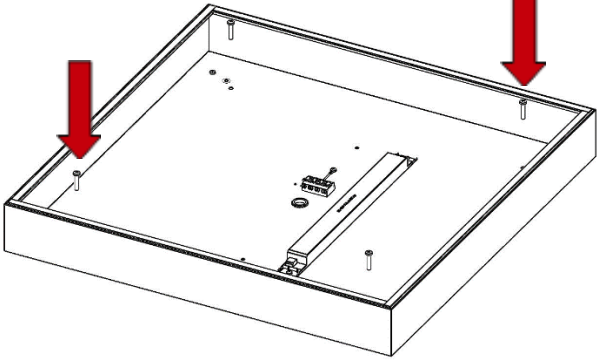
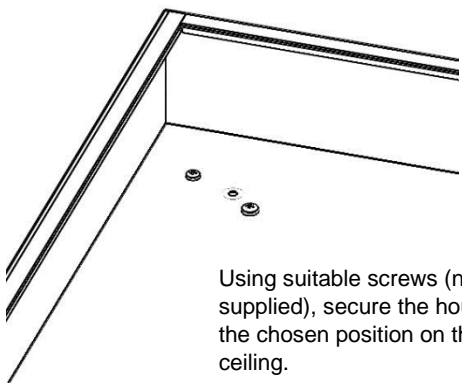
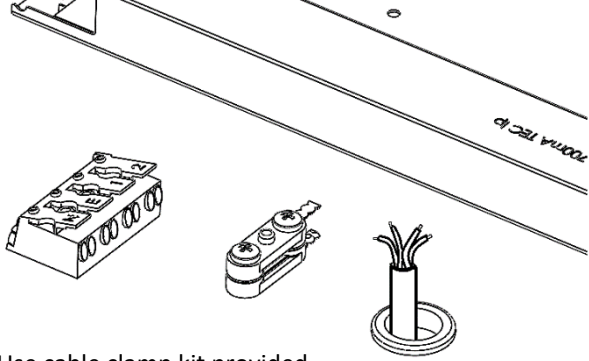
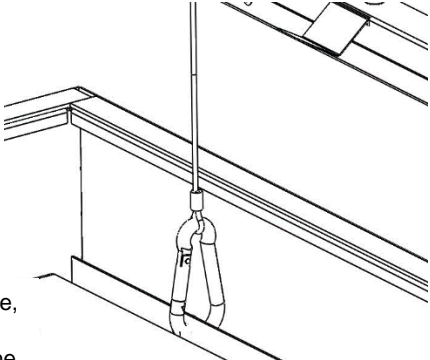
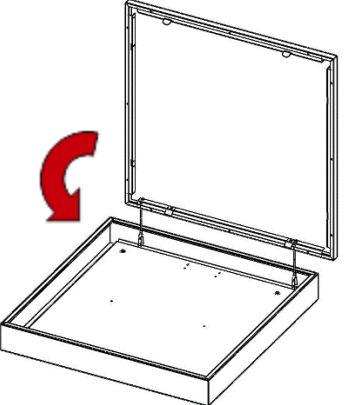
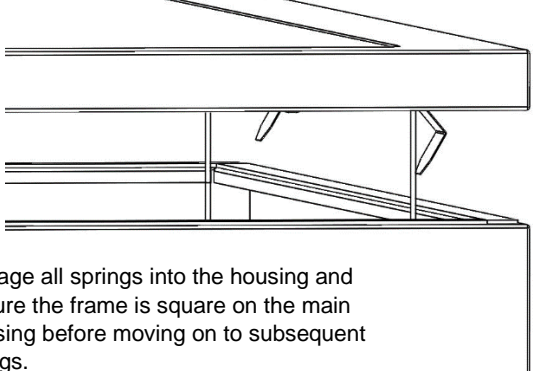
Partially lift the tray from the housing.

6.



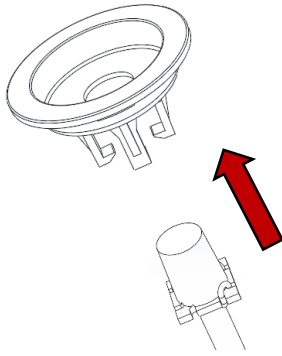
NOTE: There is a plug and socket connection between the main housing and the LED tray that must be disconnected before fully removing the tray

MOD Surface Installation

<p>7.</p> 	<p>8.</p>  <p>Using suitable screws (not supplied), secure the housing to the chosen position on the ceiling.</p>
<p>9.</p> <p>Feed the mains cable in through the grommited hole in the rear of the housing. Wire into the marked terminals as required.</p> <p>NOTE: Side cable entries are available upon special request.</p>	<p>10.</p>  <p>Use cable clamp kit provided.</p>
<p>11.</p> <p>To replace the tray, reverse steps 3 – 6 ensuring the plug and socket is reconnected in step 6.</p>	<p>12.</p>  <p>To replace the frame, attach the 2no. Karabiner clips to the holes in the gear tray</p>
<p>13.</p> <p>Swing the frame up on to the main housing. The frame tethers should be at an angle to ensure they do not cover the LED board.</p> 	<p>14.</p>  <p>Engage all springs into the housing and ensure the frame is square on the main housing before moving on to subsequent fittings.</p>

MOD Surface Installation

15.
RLS



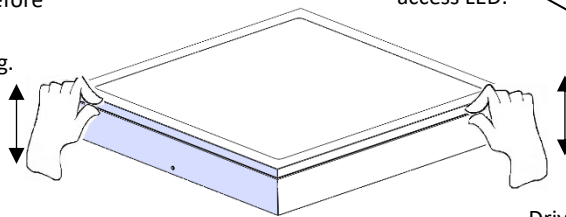
Once housing is installed, insert sensor into sensor housing located in frame.

16.

Maintenance

① Disconnect luminaire before undertaking any maintenance or cleaning.

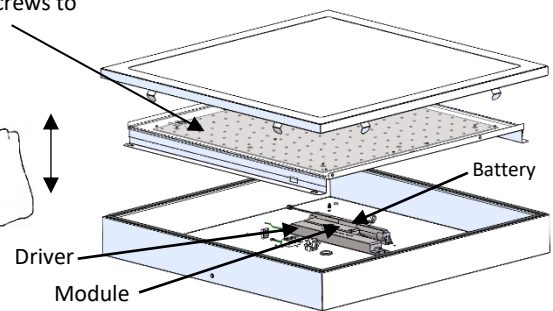
② Cleaning should be undertaken on external parts of the luminaire only using a slightly damp lint free cloth.



③ Remove cover by hand. No tools required.

Remove touch proof cover and screws to access LED.

④ Use a pan pozi screwdriver when removing components.



⑤ Please contact Dextra for assistance with spare component supply.